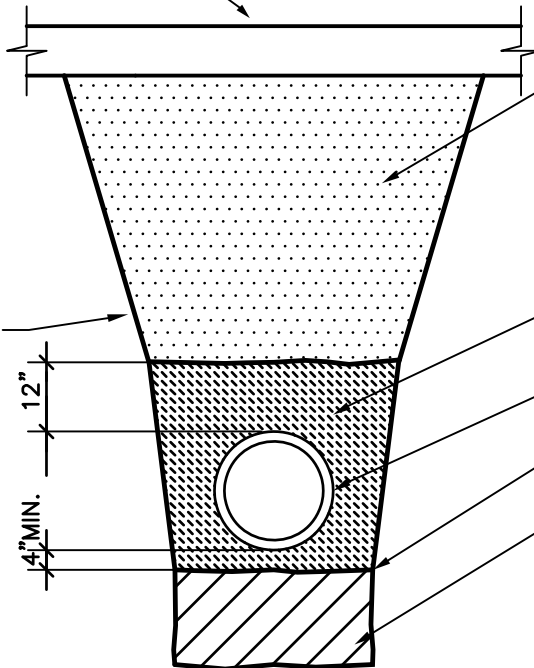


PAVEMENT SURFACE,
STRUCTURE OR TURF,
AS SPECIFIED.

SLOPE OF TRENCH
TO BE DETERMINED IN
ACCORDANCE WITH ALL
APPLICABLE STATE
AND FEDERAL REGULATIONS



TRENCH BACKFILL
- FOR PAVEMENT OR
STRUCTURE:
MDOT CLASS II
- FOR TURF:
EXISTING GRANULAR
SOIL OR MDOT
CLASS II

BEDDING:
MDOT CLASS II

UTILITY PIPE

TRENCH BOTTOM

FOUNDATION MATERIAL,
IF SPECIFIED

UTILITY TRENCH

NO SCALE

NOTE: BACKFILL COMPACTED:

95% MODIFIED PROCTOR UNDER PAVEMENT

90% MODIFIED PROCTOR UNDER TURF

SEE SPECIFICATION SECTION
312300 EARTHWORK

CS_STD_CIV_312300_UTILITY_TRENCH.dwg

MICHIGAN STATE UNIVERSITY | Infrastructure Planning and Facilities

UTILITY TRENCH

Typical Detail

DATE
3/5/9

DETAIL NO.
XXXXXX-XX

SHEET

DRAWN

REVISION
7/7/16
RLANDRUM



OF ONE