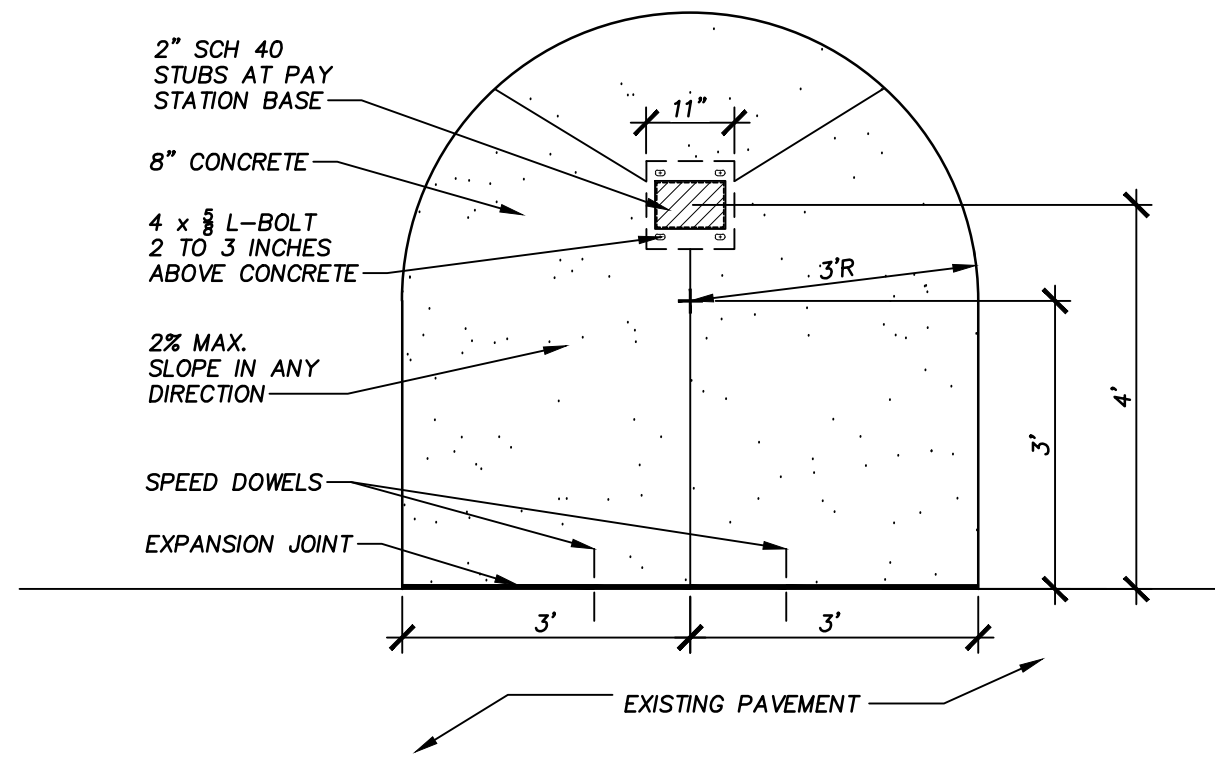


PAY STATION NO SHELTER

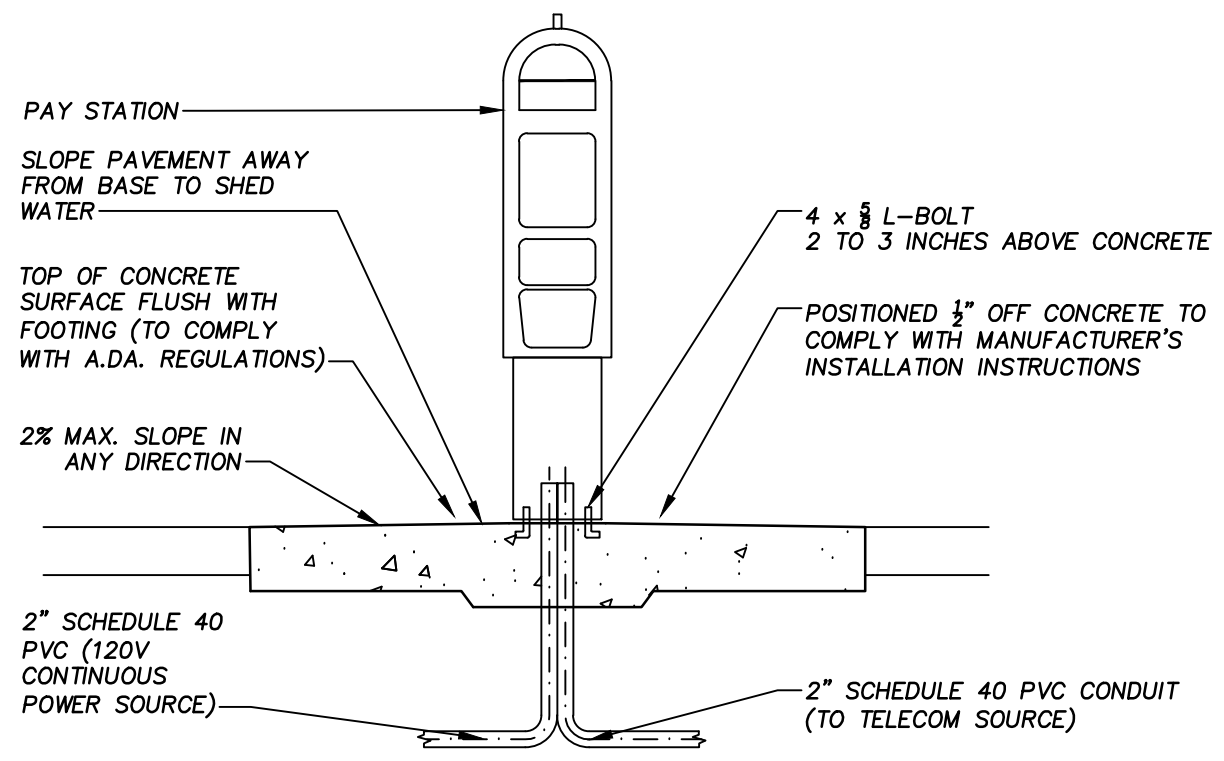
Reference Detail

CS-STD-CIV-321313_PAY_STATION_PAD_NO_SHEL.dwg

DATE	5/9/17
DRAWN	
REVISION	1/29/18 RLANDRUM
DETAIL NO.	321313
SHEET	1
OF ONE	



PLAN



SECTION ELEVATION

X PAY STATION PAD NO SHELTER
X-X SCALE: 1/2"=1'-0"