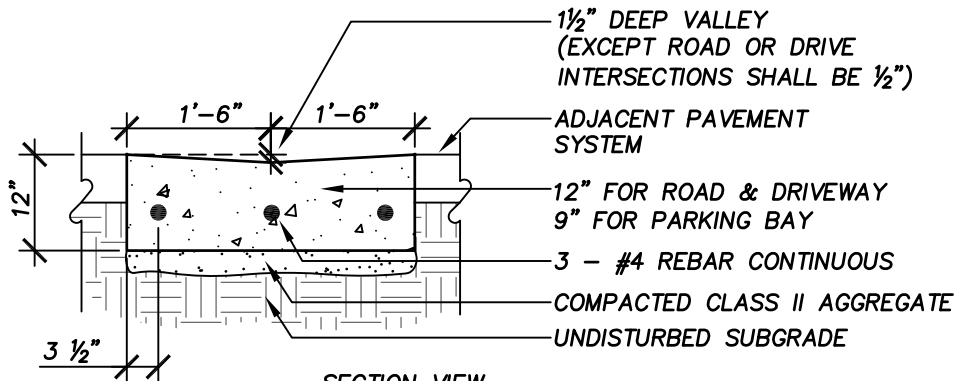


PLAN VIEW



SECTION VIEW

X VALLEY GUTTER PLAN & SECTION
X-X PLAN & SECTION

SCALE: 1/2"=1'-0"

SEE SPECIFICATION SECTION
 321613 CONCRETE CURBS AND GUTTERS

CS_STD_CIV_321613_VALLEY_GUTTER.dwg