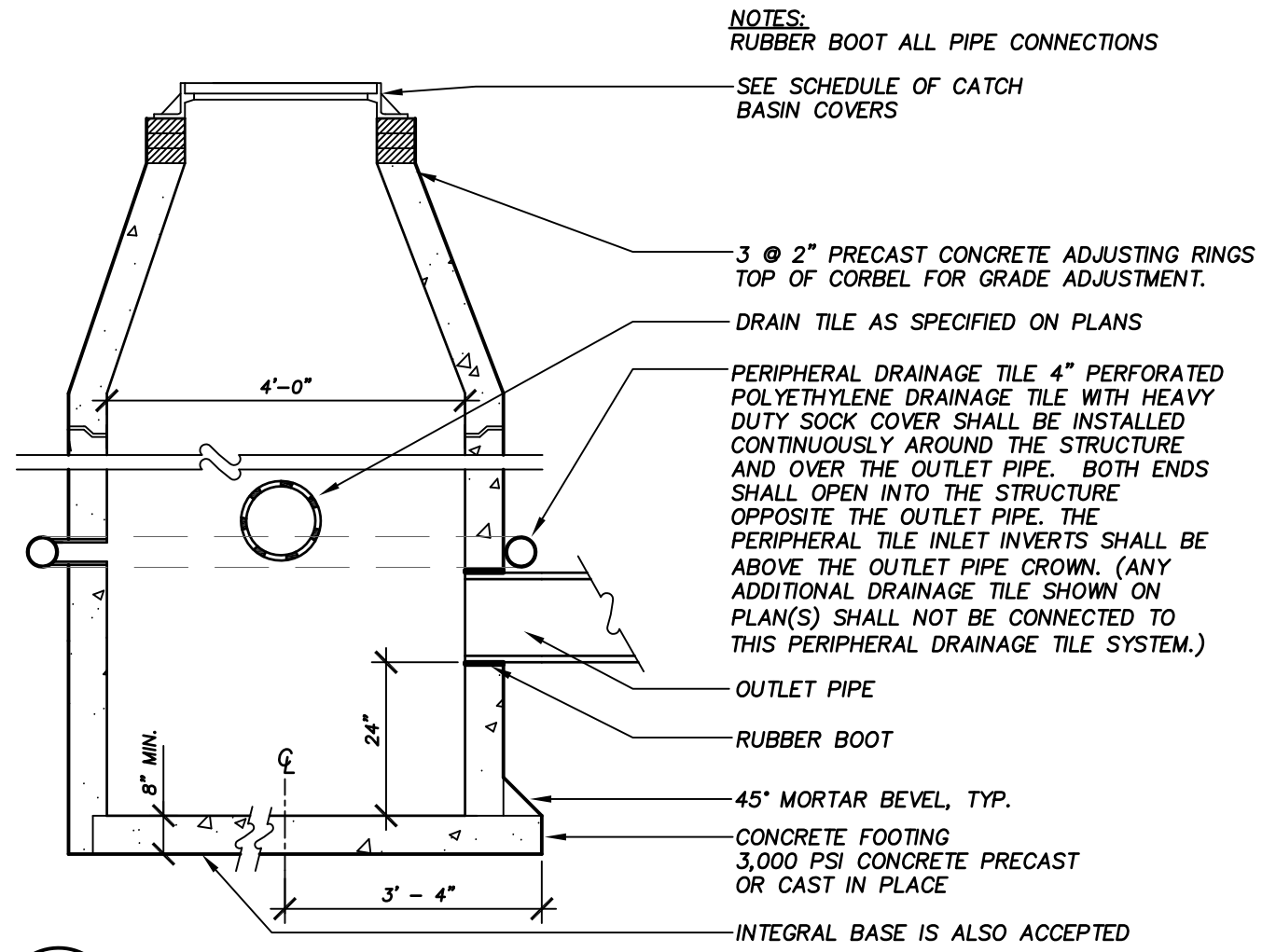


CATCH BASIN - PRECAST
Typical Detail



X
X-X **CATCH BASIN - PRECAST**
SCALE: 1/2"=1'-0"

SEE SPECIFICATION SECTION
334000 STORM DRAINAGE
STRUCTURES

CS_STD_CIV_334000_CATCH_BASIN_PRECAST.dwg
DATE: 04/10/2013
DRAWN:
REVISION: 12/20/16 RLANDRUM
DETAIL NO. 334000-01
SHEET
OF ONE

