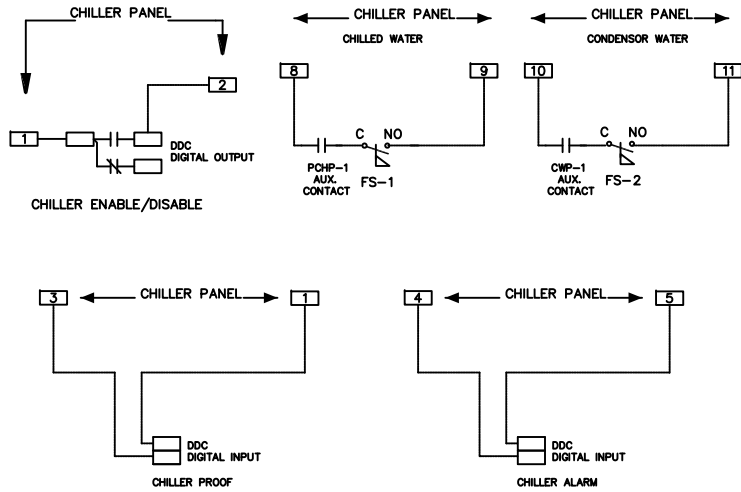
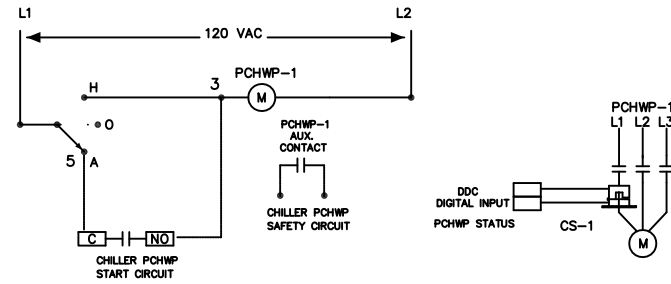


DATE	9/12/10
DRAWN	
REVISION	7/11/16
RLANDRUM	
DETAIL NO.	XXXXXX-XX
SHEET	



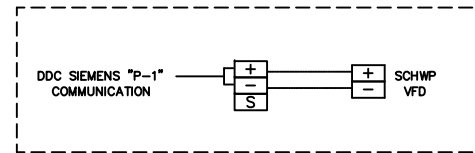
TYPICAL CHILLER WIRING DETAIL

ALL WIRING TO BE #14 AWG.
TYPICAL FOR CHILLER - 1 & 2



TYPICAL PCHWP WIRING DETAIL

ALL WIRING TO BE #14 AWG.
TYPICAL FOR PCHWP - 1 & 2



TYPICAL SCHWP WIRING DETAIL

ALL WIRING TO BE 18TSP.
MONITORING & CONTROL TO BE HARDWIRED THROUGH "P-1" COMMUNICATIONS
TYPICAL FOR SCHWP - 1 & 2