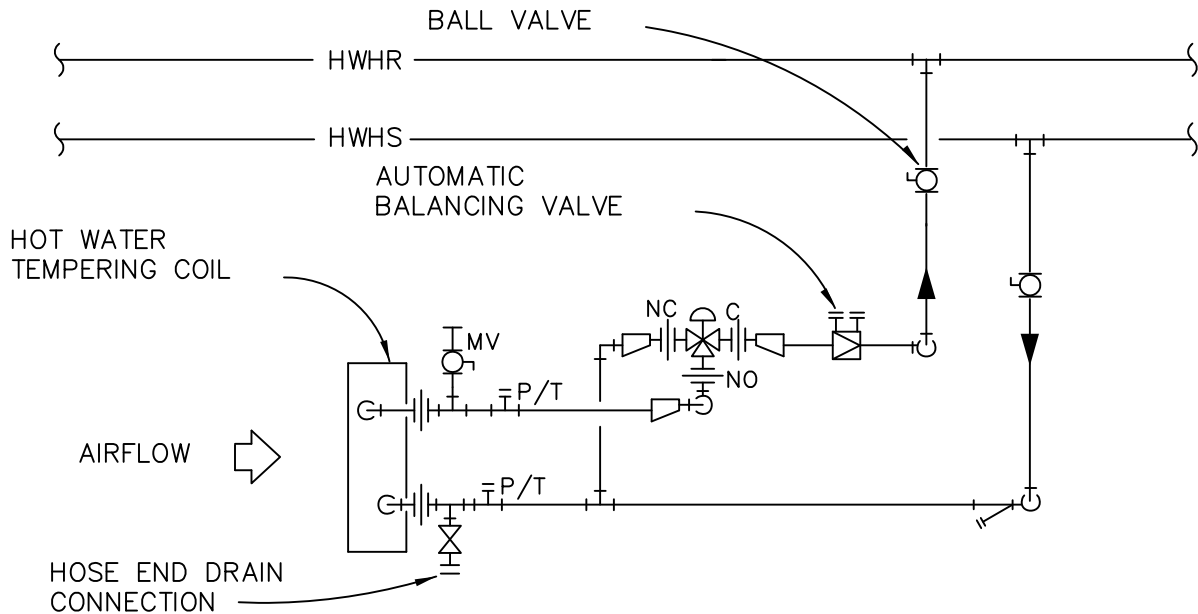


DESIGNERS NOTES:

BOTH BRANCH AND COIL ISOLATION REQUIRED. SHOW BRANCH ISOLATION ON PLANS.



HOT WATER REHEAT COIL WITH THREE WAY CONTROL VALVE PIPING DIAGRAM

NO SCALE

NOTES:

1. ISOLATION VALVES SHALL BE LOCATED WITHIN 10'-0" OF COIL AND AS INDICATED ON DRAWINGS.
2. PROVIDE ISOLATING NIPPLE (VICTAULIC WATERWAYS OR EQUAL) BETWEEN DISSIMILAR METALS. DIELECTRIC UNIONS NOT ALLOWED.
3. COMBINATION DEVICES, SUCH AS COIL HOOK-UP KITS, FOR BALL VALVE, STRAINER, P/T PORT, ETC. MAY BE USED IN LIEU OF SEPARATE DEVICES.
4. IF COIL HAS VENT AND/OR DRAIN CONNECTIONS, THEY ARE TO BE USED IN LIEU OF INSTALLING IN PIPING AS INDICATED.
5. OFFSET PIPING TO PROVIDE CLEARANCE FOR COIL REMOVAL.

CS_STD_MEC_233600_HOT_WATER_REHEAT_3-WAY_.dwg