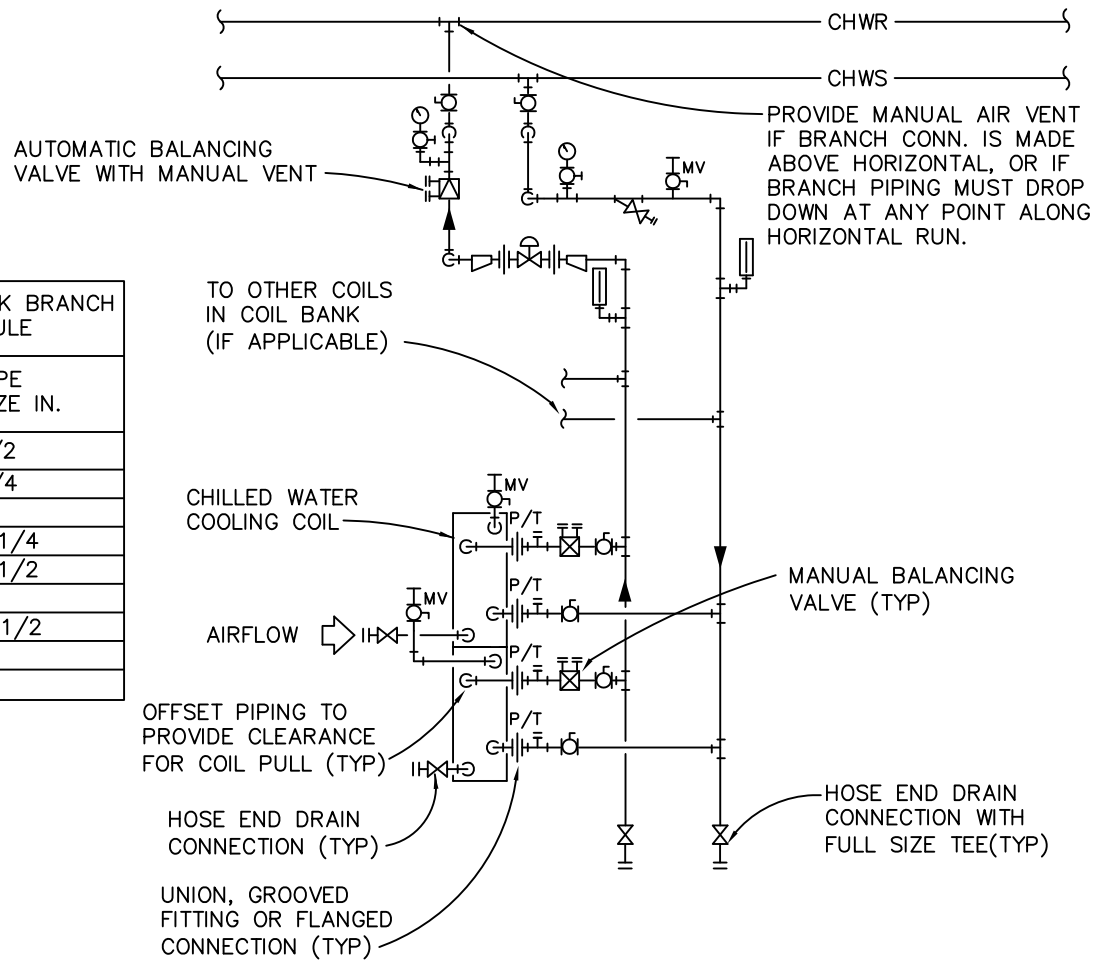


MULTIPLE COIL BANK BRANCH PIPE SIZING SCHEDULE

INDIVIDUAL COIL FLOW GPM	PIPE SIZE IN.
0 - 1.3	1/2
1.3 - 3.5	3/4
3.5 - 7.5	1
7.5 - 12.5	1 1/4
12.5 - 20	1 1/2
20 - 45	2
45 - 75	2 1/2
75 - 130	3
130 - 300	4



CHILLED WATER COOLING COIL WITH TWO-WAY CONTROL VALVE PIPING DIAGRAM
NO SCALE

CS_STD_MEC_238216_CHW_COIL_2_WAY_VALVE.dwg