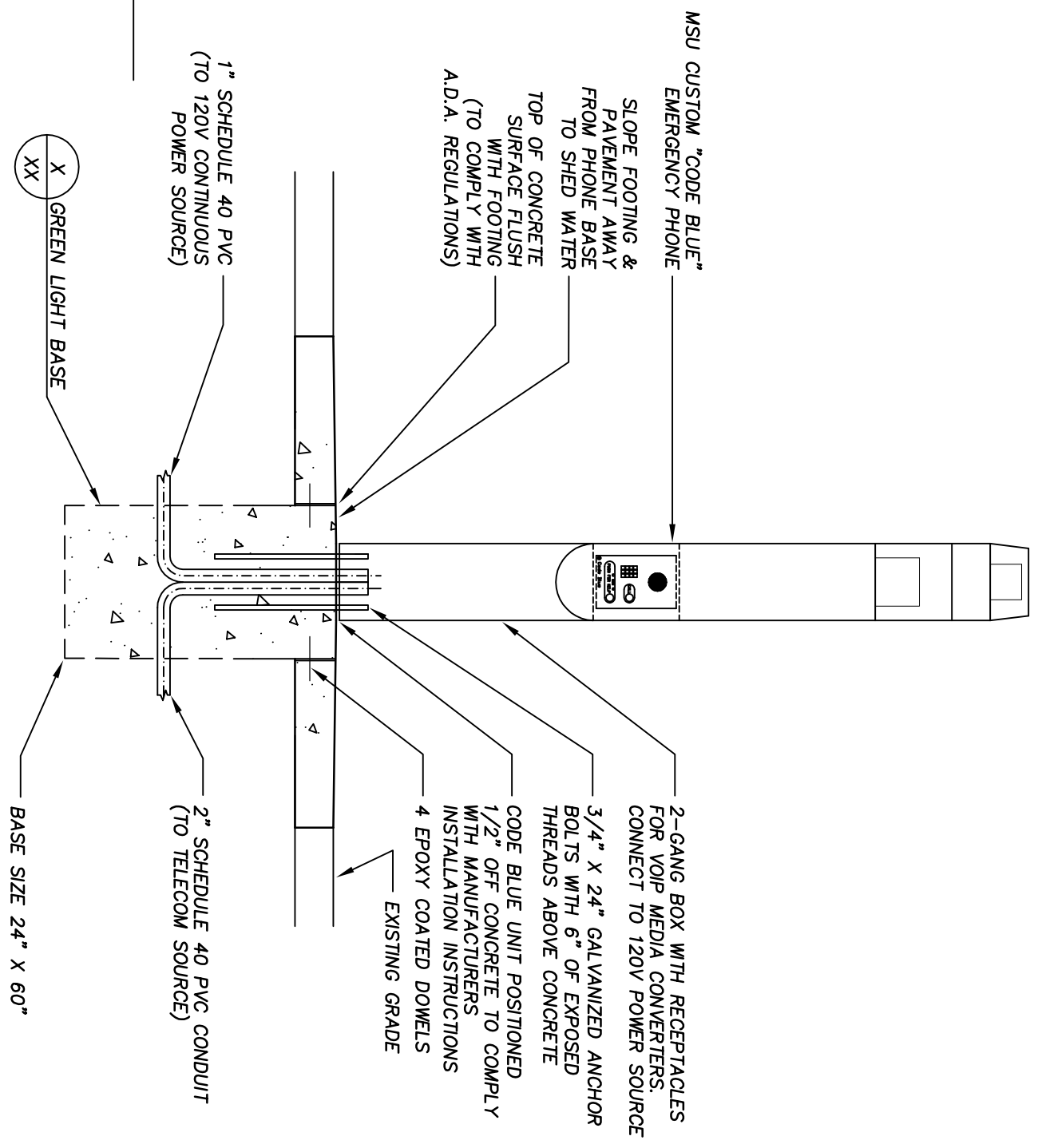


PLAN



SECTION ELEVATION

X GREEN LIGHT PAD  
 X-X PLAN AND SECTION ELEVATION

SCALE: 1/2"=1'-0"

SEE SPECIFICATION SECTION  
 324000 SITE APPURTENANCES  
 033000 CAST-IN-PLACE CONCRETE  
 321313 CONCRETE PAVEMENT  
 265600 EXTERIOR LIGHTING

GREEN LIGHT PAD  
 TYPICAL DETAIL

DATE	1/4/09
DRAWN	
REVISION	11/29/18
DETAIL NO.	324000-10
SHEET	1
OF ONE	