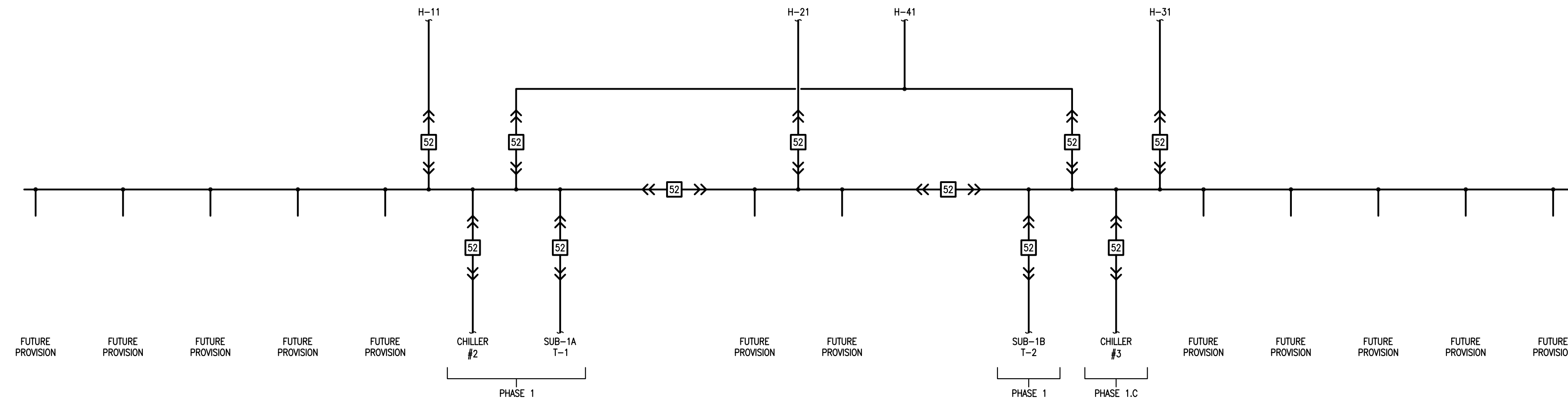
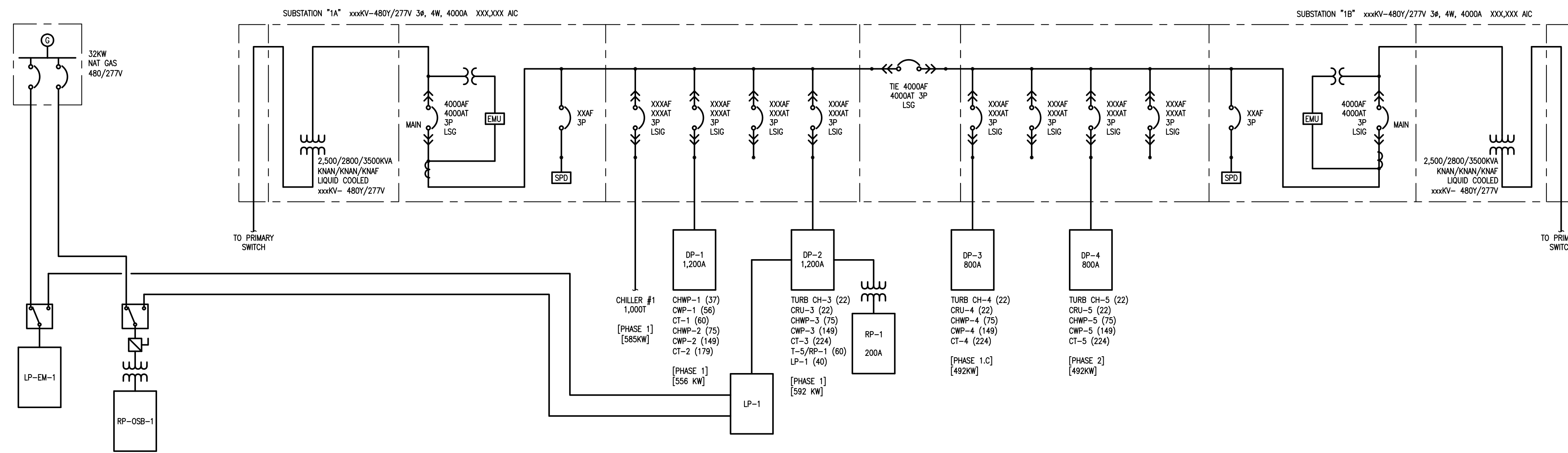


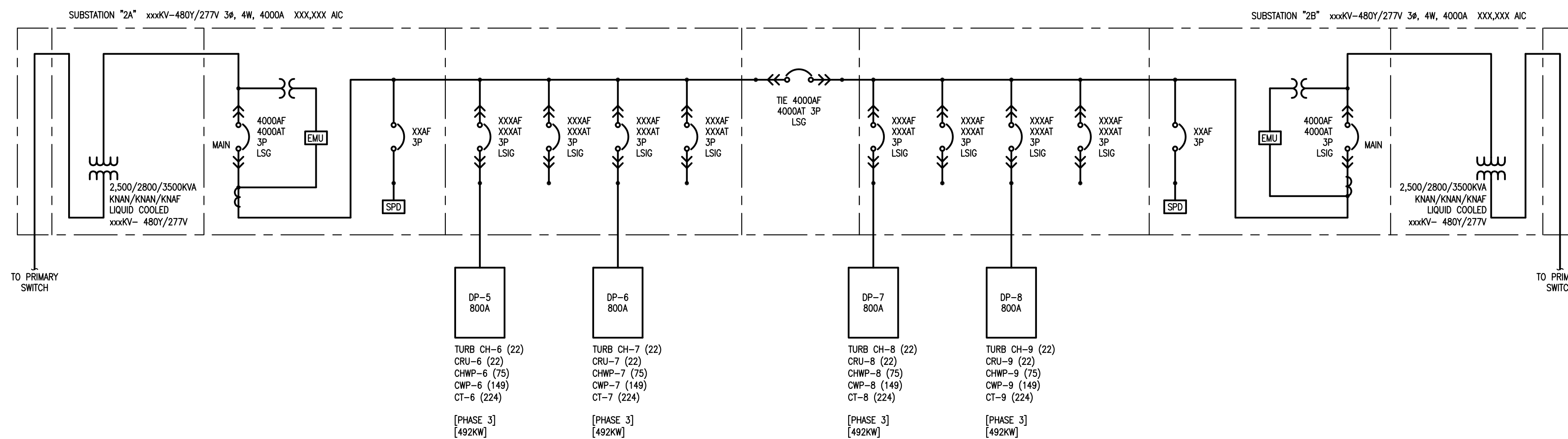
FIRST FLOOR PLAN – STEAM & ELECTRIC BLEND OPTION
 1/8" = 1'-0"



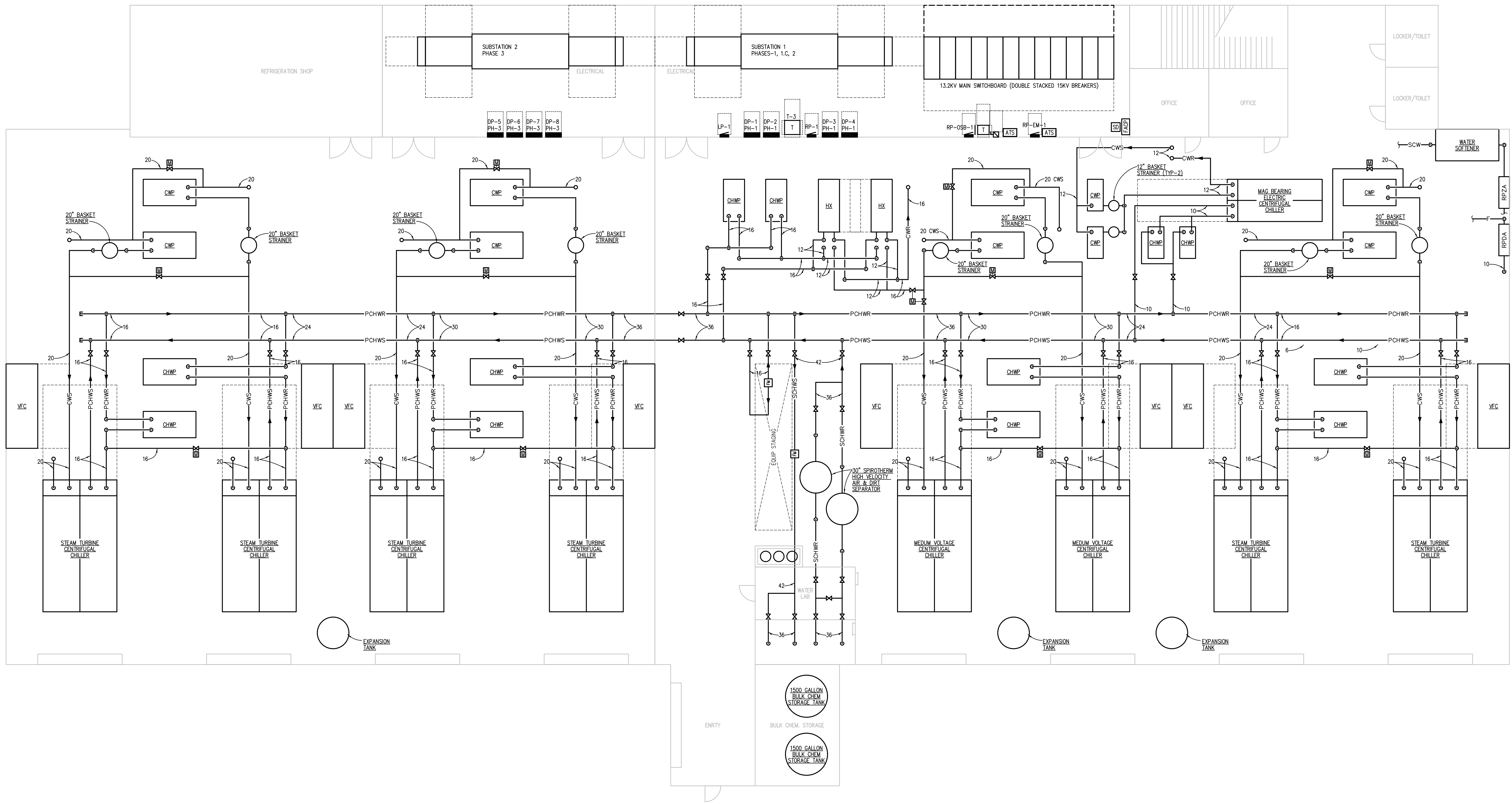
13.200KV
(RUNNING TOTALS)
PHASE 1: 3,328KW
PHASE 1.C: 5,422KW
PHASE 2: 5,514KW
PHASE 3: 7,884KW



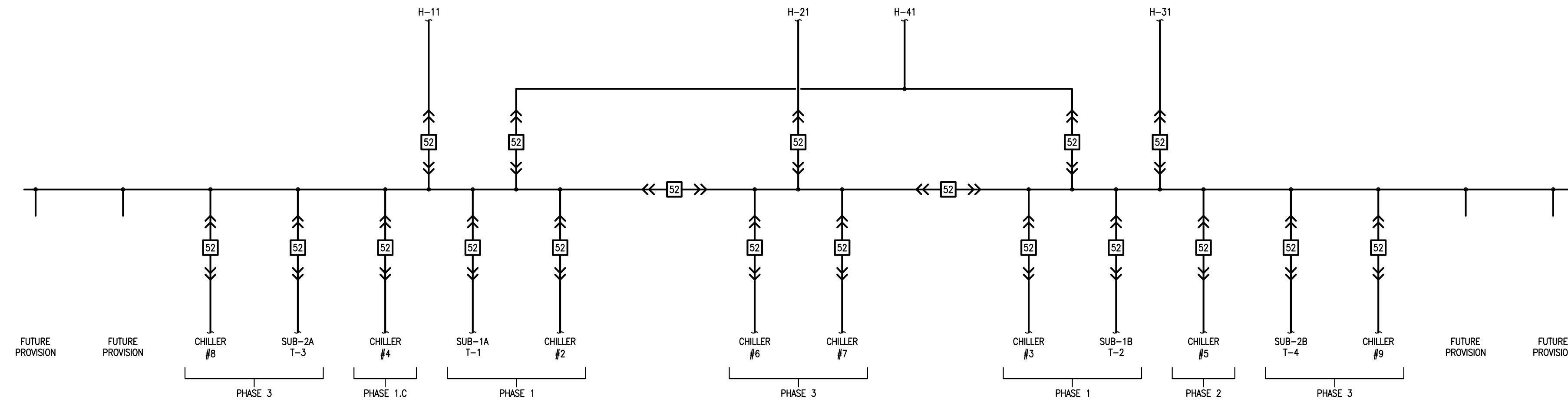
SUBSTATION #1
PHASE 1: 1,733KW
PHASE 1.C: 492KW
PHASE 2: 492KW
TOTAL: 2,717KW



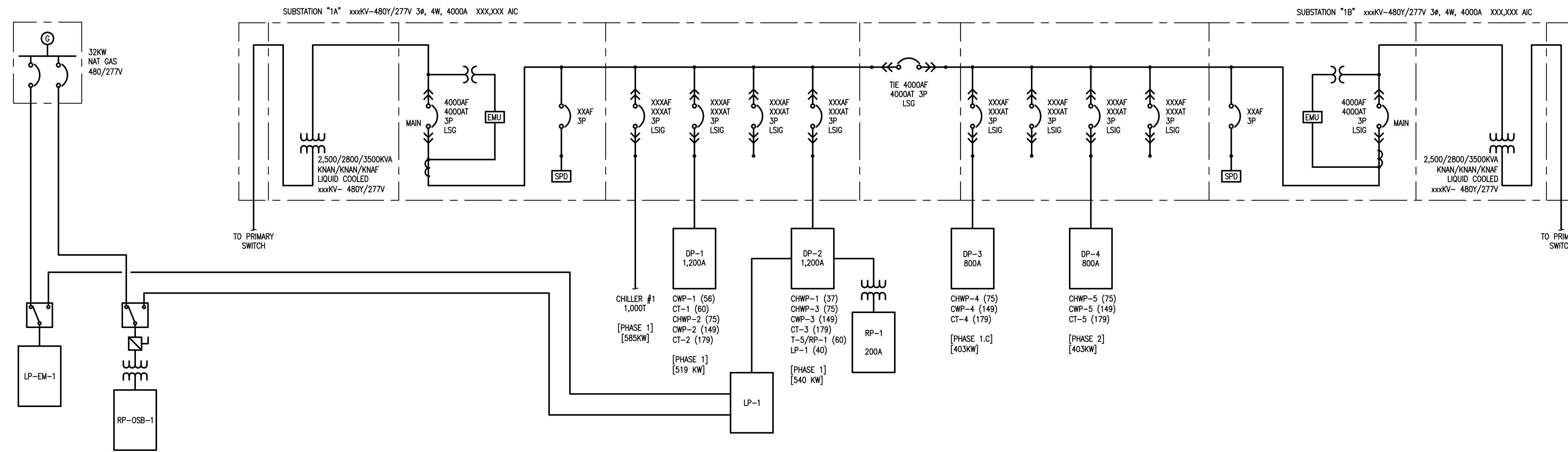
SUBSTATION #2
PHASE 3: 1,968KW
TOTAL: 1,968KW



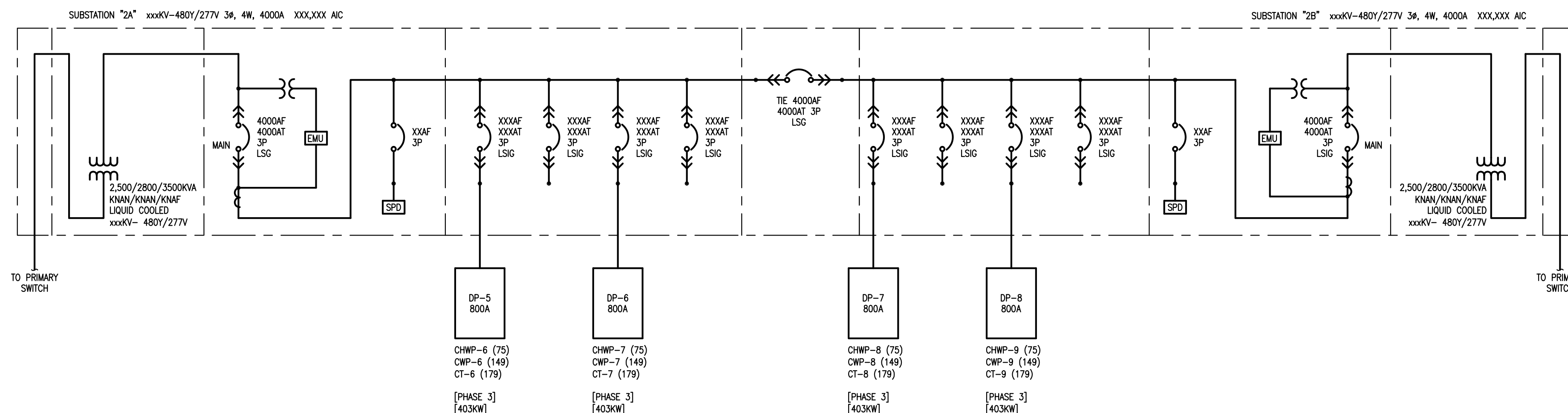
FIRST FLOOR PLAN - ALL ELECTRIC OPTION
 1/8" = 1'-0"



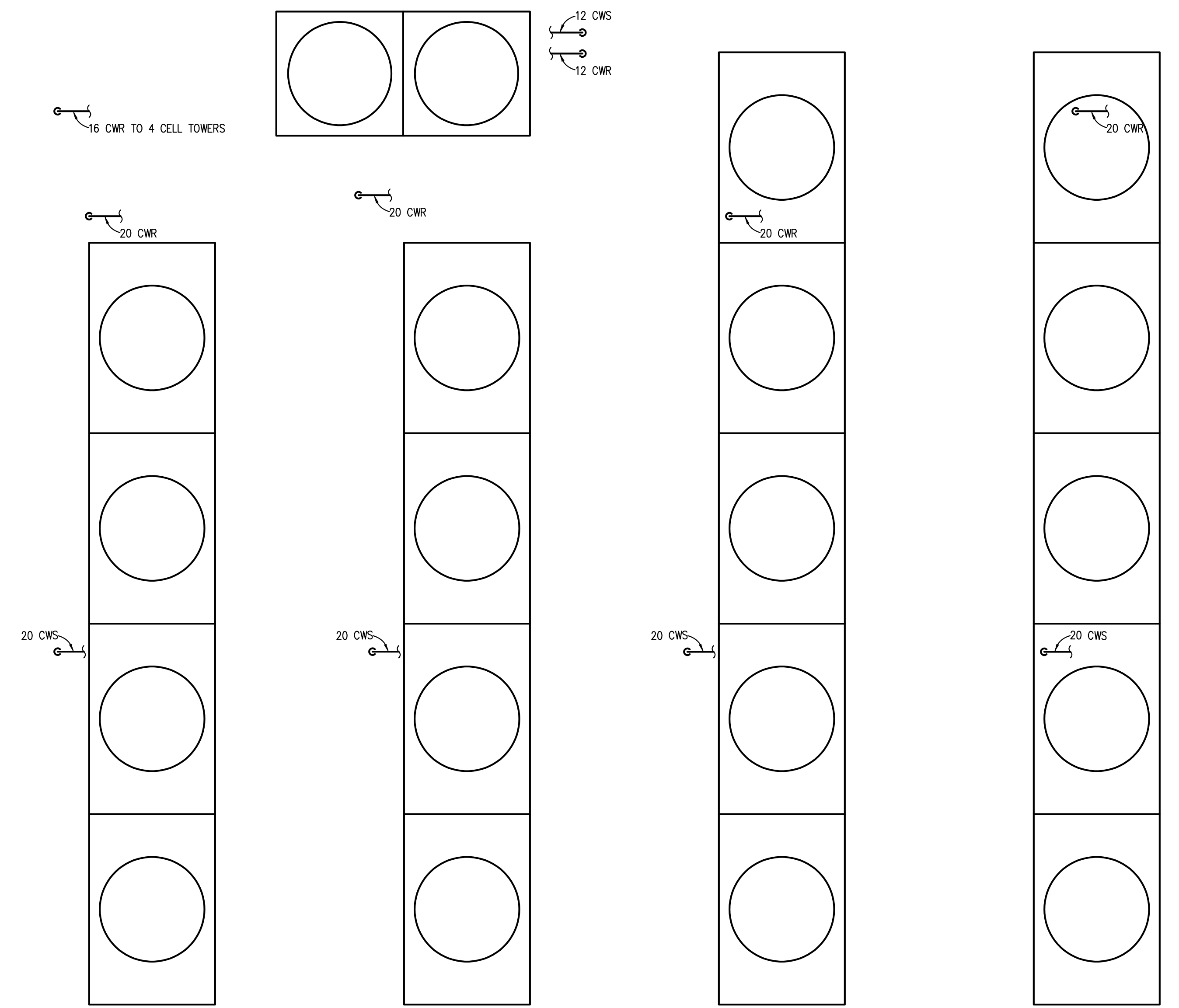
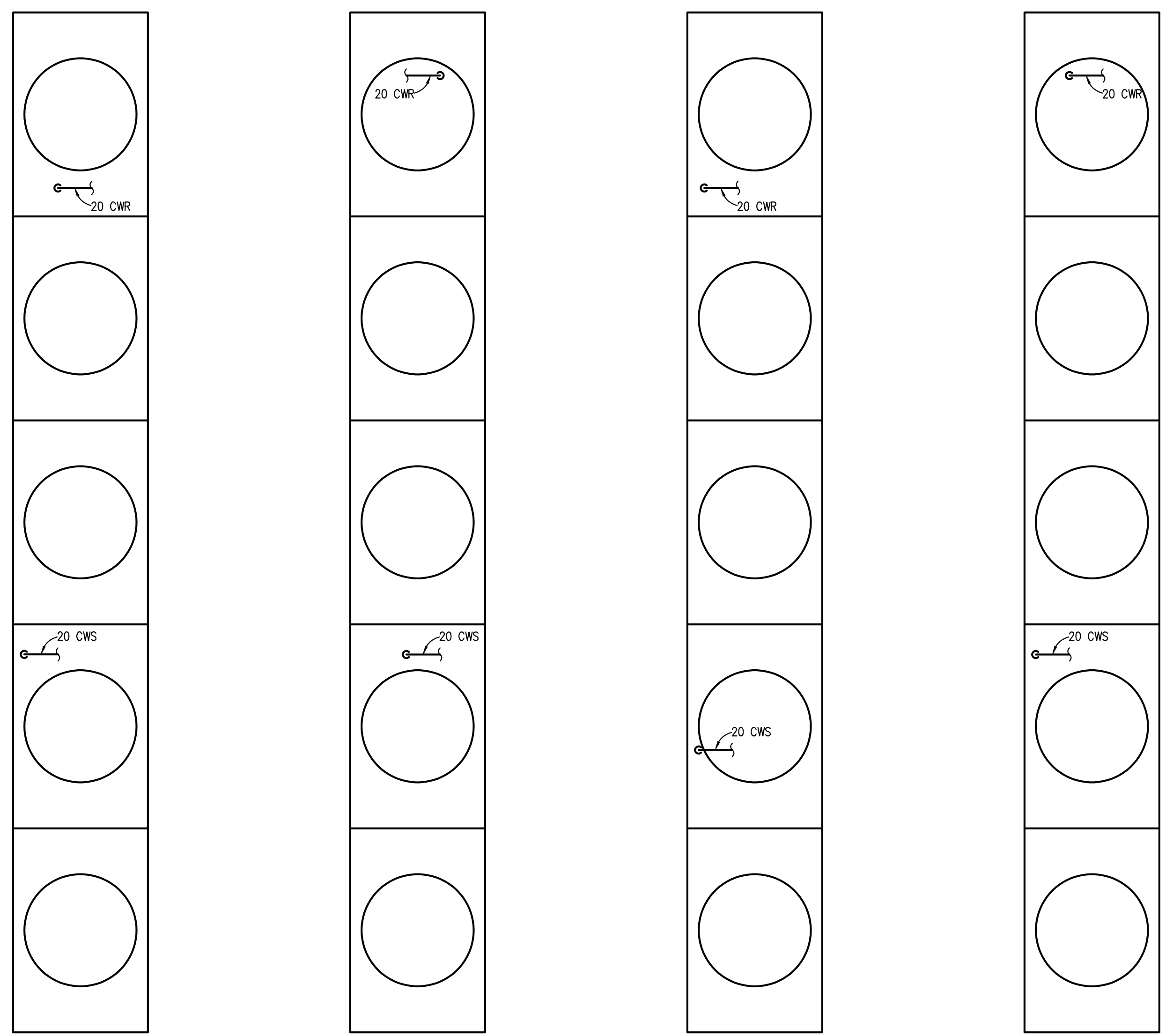
13.200KV
(RUNNING TOTALS)
PHASE 1: 4,930KW
PHASE 1.C: 7,029KW
PHASE 2: 9,121KW
PHASE 3: 17,509KW



SUBSTATION #1
PHASE 1: 1,644KW
PHASE 1.C: 403KW
PHASE 2: 403KW
TOTAL: 2,450KW



SUBSTATION #2
PHASE 3: 1,612KW
TOTAL: 1,612KW



ROOF PLAN
 1/8" = 1'-0"

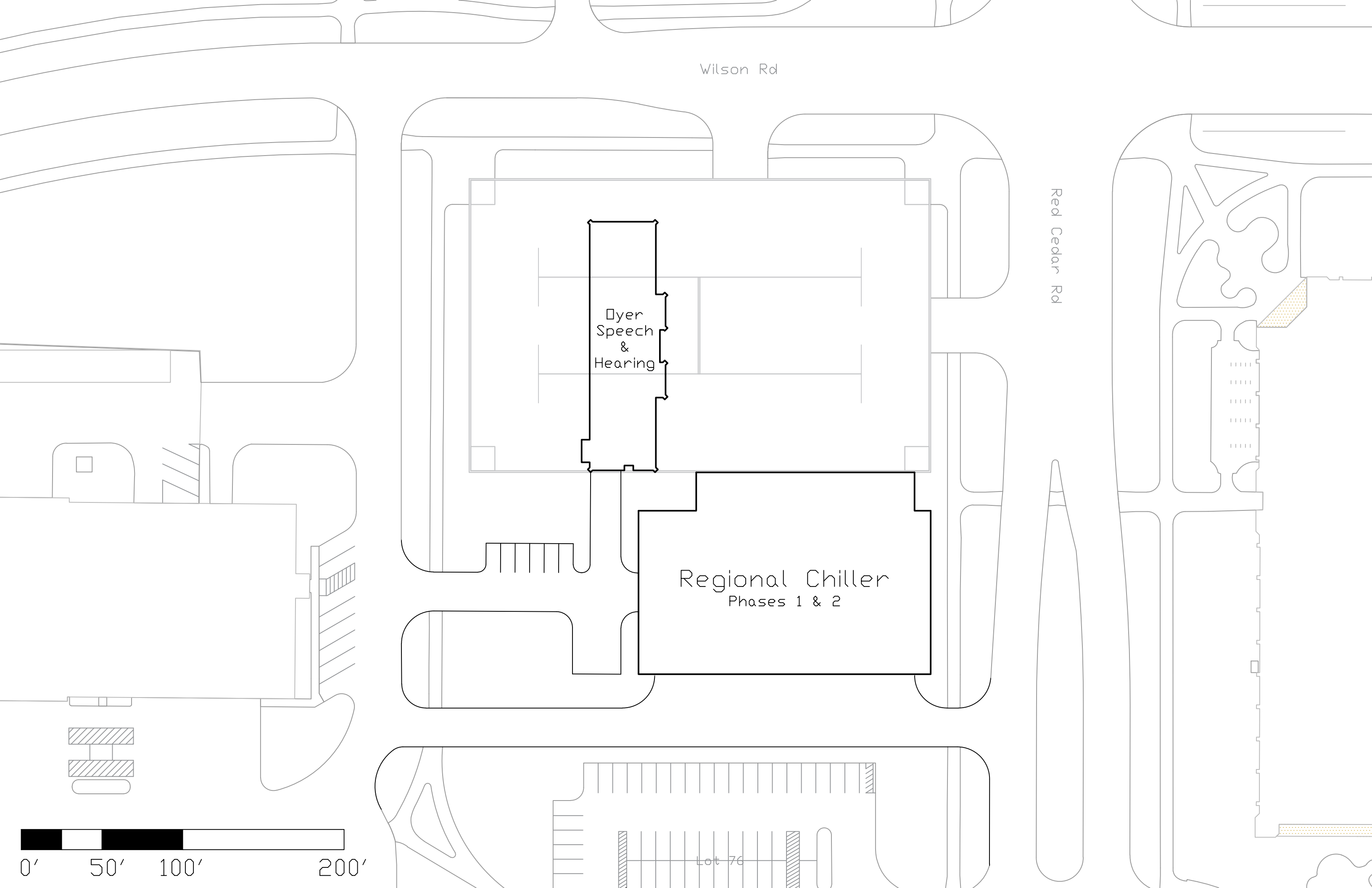
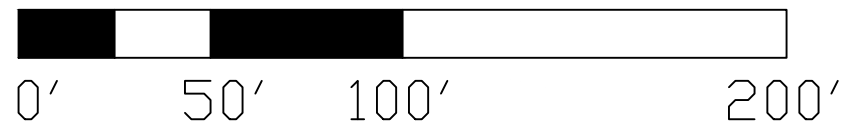
Wilson Rd

Dyer
Speech
&
Hearing

Regional Chiller
Phases 1 & 2

Red Cedar Rd

Lot 76



WILSON RD

RED CEDAR RD

FUTURE PARKING GARAGE

6 FLOORS + BASEMENT = 1,179 SPOTS

REGIONAL CHILLER

PHASE 3

PHASES 1 & 2

SCAPE
VICES

Lot 76

100'

200'