

MICHIGAN STATE
U N I V E R S I T Y

INFRASTRUCTURE PLANNING AND FACILITIES
PLANNING, DESIGN AND CONSTRUCTION

February 22, 2024

TITLE OF PROJECT: MSU Union Food Court

PROJECT ISSUE DATE: February 9, 2024

PROJECT NUMBER: PR223621

ADDENDUM NO: 01

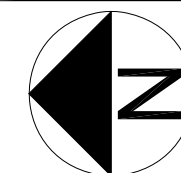
GENERAL

This Addendum is issued prior to receipt of Proposals to amend the Contract Documents identified as MSU Union Food Court.

Except as otherwise specifically mentioned, the general character of the work required by this Addendum shall be the same as originally specified, and all incidentals required in connection with the work hereinafter described shall be included even though not specifically mentioned. When an item is mentioned with additional specifications given, reference shall be made to the original specifications.

<u>ITEM NO.</u>	<u>DESCRIPTION</u>
1.	Refer to supplemental sheet E-1 Electrical Demolition Plan for notes on what fixture types to demo. The symbols shown on the demo plan do not represent accurate quantities but act as representation for such. If actual quantities are needed for bidding, please make arrangements to visit the site.
2.	Follow the Schonox product spec for floor cleaning and prep recommendations.
3.	Provide one (1) dumpster at loading dock area. MSU PPO to confirm exact location with MSU Parking office prior to demo.
4.	Replace all existing diffuser covers with new per MSU standard specifications.
5.	MSU will handle coordination of disconnecting and reconnecting ceiling mounted security cameras, Wi-Fi modules and smoke detectors.
6.	Addendum drawing set dated 2-21-24 is attached. Includes sheets 1, 3, 4, and 5.
7.	Changes to the lighting plan per IPF Electrical Engineer are shown on the attached E-2 supplemental sheet. Some of the changes made include: <ul style="list-style-type: none">i. A few additions/changes to the cove lighting.ii. Fixture specification adjustments (Lumen output).iii. Adjustment to switching for the direct/indirect linear lighting.iv. Added emergency light locations and spec.
8.	Prevailing Wage now required. Prevailing Wage Rates attached.

**MSU UNION - FOOD COURT
 DEMO PLAN**



APPROVED BY APPR_BY _____
 DATE 8-8-23
 SCALE 1/8"=1'-0"

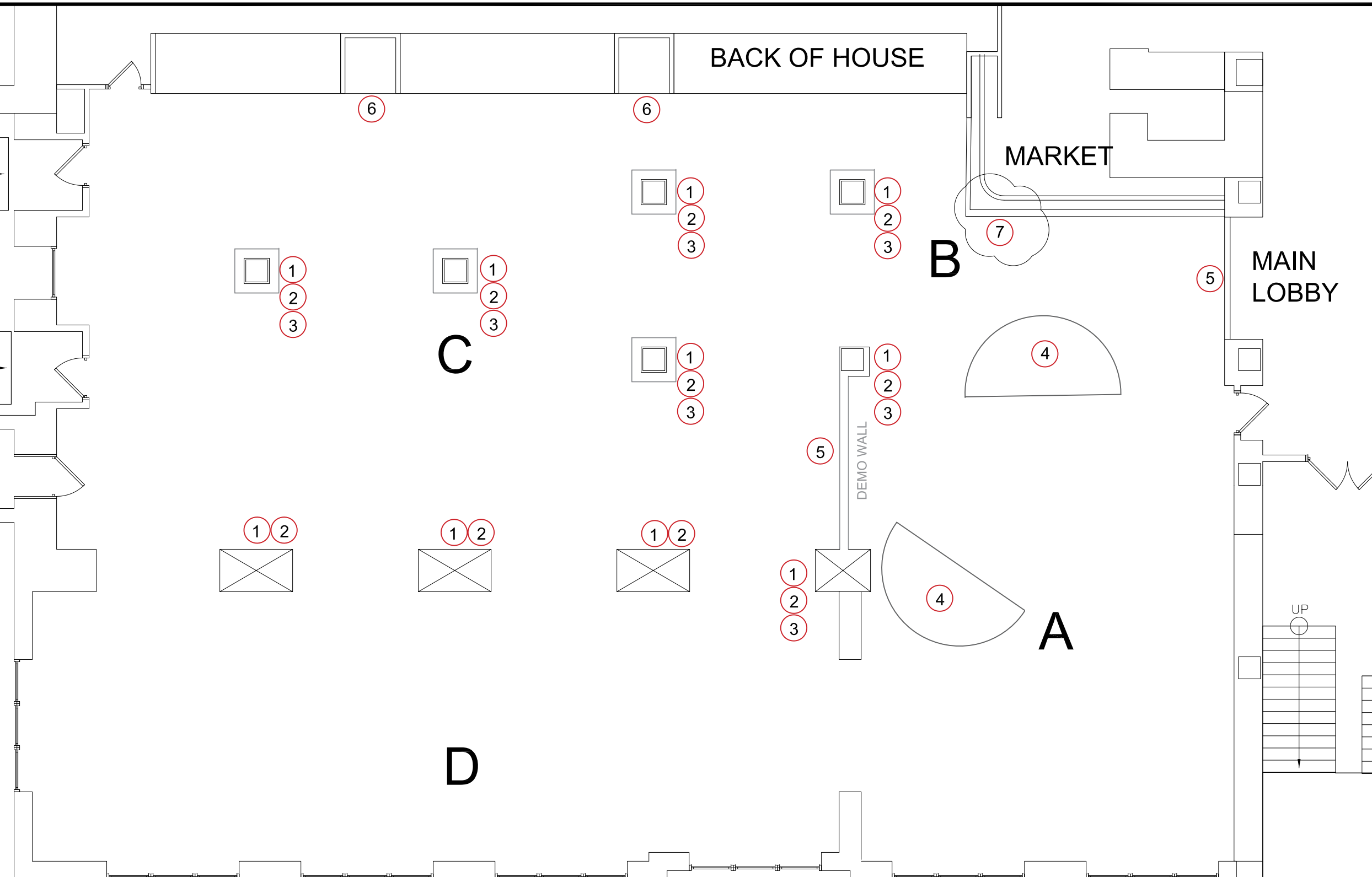
LAST REVISED ON 2-8-24
 LAST REVISED BY AL
 ADDENDUM 2-21-24

BUILDING NO.

6

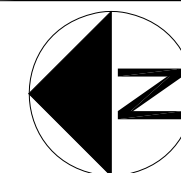
SHEET

1 of 6



- DEMOLITION NOTES:**
1. REMOVE ALL QUARRY TILE BASE FROM PERIMETER WALLS AND COLUMNS.
 2. REMOVE ALL WOOD PANELING FROM PERIMETER WALLS AND COLUMNS, BRING WALLS TO SMOOTH LEVEL 4 FINISH TO ACCEPT PAINT.
 3. REMOVE ALL TRIM AND UP-LIGHTING AROUND COLUMNS
 4. REMOVE ALL FIXED-SEATING BOOTHS AND PARTIAL WALLS ASSOCIATED, FILL FLOOR AS NEEDED TO MATCH HEIGHT OF EXISTING QUARRY TILE.
 5. MOVE TEMPORARY WALL LOCATED IN THE SOUTH ENTRANCE TOWARDS LOBBY AND INSIDE DOORWAY OPENING SO THE QUARRY TILE CAN BE PREPPED AND NEW FLOORING INSTALLED.
 6. REMOVE COKE MACHINES, LEAVE BEHIND COUNTER. TEMPORARILY TERMINATE WATER LINES AND COVER FLOOR DRAINS AS NEEDED.
 7. LEAVE TEMPORARY WALL IN PLACE AND FINISH FOOD COURT SIDE WITH DRYWALL AND PAINT. LEAVE GATE THAT SEPARATES SPARTYS AND THE FOOD COURT INTACT AND LOCKED. INSTALL

MSU UNION - FOOD COURT
ARCH / ELEC PLAN



APPROVED BY APPR_BY _____
DATE 8-8-23
SCALE 1/8"=1'-0"

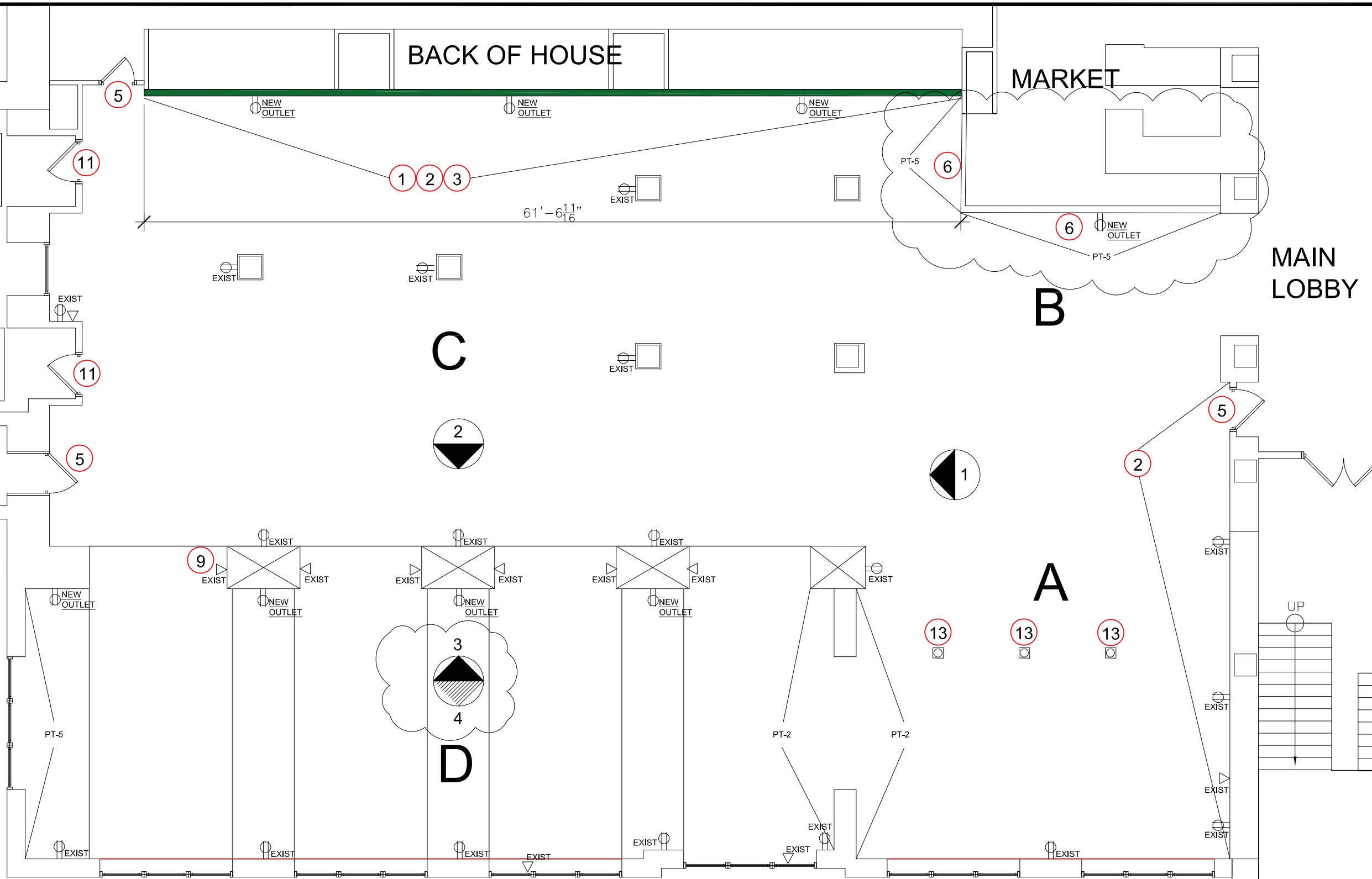
LAST REVISED ON 2-8-24
LAST REVISED BY AL
ADENDUM 2-21-24

BUILDING NO.

6

SHEET

3 of 6

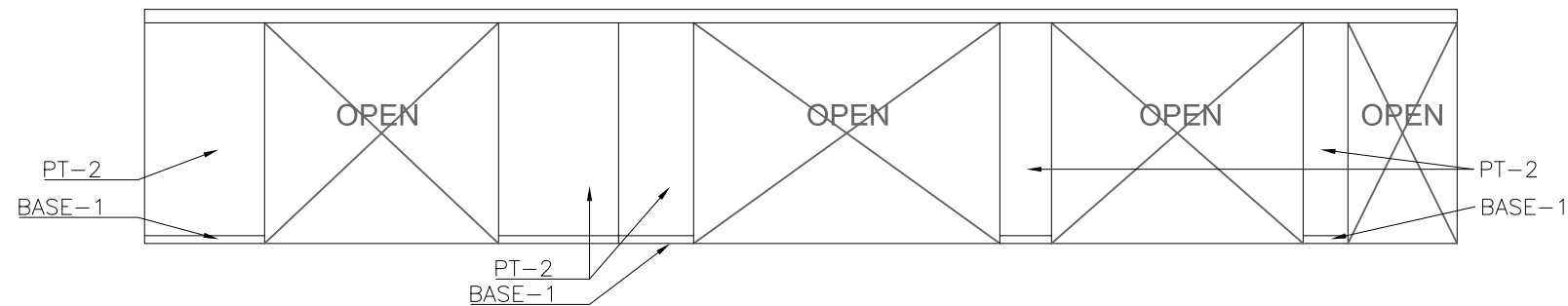


NOTES:

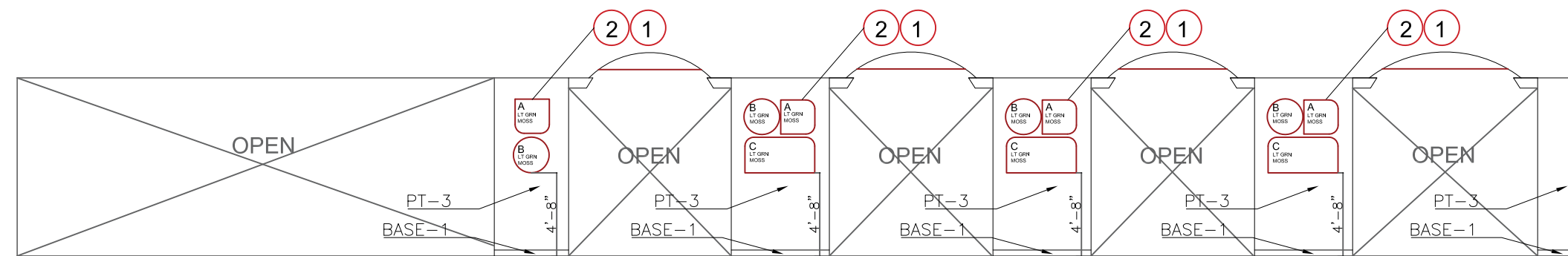
1. BUILD TEMP GYP WALL DIRECTLY IN FRONT OF EXISTING COUNTER, SLIGHTLY OFFSET SO TO NOT ALTER COUNTER OR SODA MACHINES. DEMO ALL QUARRY TILE BASE ALONG COUNTER AREA, PATCH AND REPAIR WALL WHERE REMOVED TO SMOOTH FINISH, PREP FLOOR AND INSTALL NEW FLOOR PRIOR TO BUILDING TEMPORARY WALL. PLACE STUDS AS FAR APART AS POSSIBLE SO TO LIMIT ANCHOR POINTS INTO NEW FLOORING. SAVE EXTRA FLOORING FOR REPLACEMENT WHEN TEMP WALL IS REMOVED.
2. MSU SUPPLIED VINYL GRAPHIC, PAINTING CONTRACTOR TO INSTALL VINYL.
3. INSTALL THREE NEW OUTLETS ON TEMPORARY WALL - PULL POWER FROM UNDER SODA MACHINES IF POSSIBLE.
4. REPAIR ALL WALL AND CEILING PLASTER AS NEEDED THROUGHOUT FOOD COURT SPACE.
5. REPAINT ALL INTERIOR SIDE OF DOORS AND FRAMES, PT-4 UNLESS OTHERWISE NOTED.
6. FINISH EXISTING WALL SURFACE FACING FOOD COURT WITH DRYWALL AND PAINT.
7. INSTALL NEW OUTLETS WHERE NOTED ON FLOOR PLAN.
8. REPLACE ALL EXISTING ELECTRICAL OUTLET AND PLATES WITH ST STL.
9. KEEP ALL EXISTING DATA PORTS BUT REPLACE PLATES WITH ST STL.
10. PAINT ALL METAL GRILLS TO MATCH WALL COLOR.
11. REFINISH AND STAIN EXISTING DOORS. PPO PROJECT MANAGER TO PROVIDE STAIN COLOR.
12. ALL NEW OUTLETS AT STANDARD HEIGHT OFF FLOOR UNLESS OTHERWISE NOTED.
13. NEW FLOOR CORE OUTLETS. SEE SUPPLEMENTAL SHEET E-2 FOR LOCATIONS AND CIRCUIT TIE-IN.

PAINT SPECS

- | | |
|------|--|
| PT-1 | SHERWIN WILLIAMS - SW7014 EIDER WHITE |
| PT-2 | SHERWIN WILLIAMS - SW7016 MINDFUL GRAY |
| PT-3 | SHERWIN WILLIAMS - SW6180 OAKMOSS |
| PT-4 | SHERWIN WILLIAMS - SW7018 DOVETAIL |
| PT-5 | SHERWIN WILLIAMS - SW7710 BRANDYWINE |

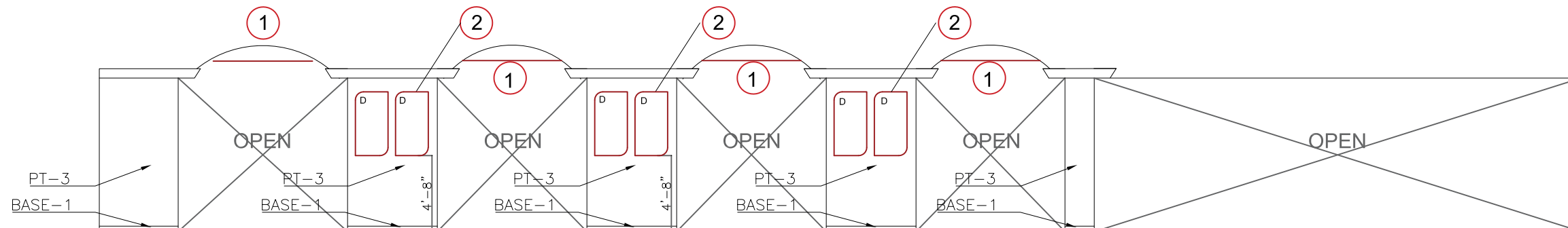


1 INTERIOR ELEVATION
 SCALE: 1'-0" = 1/8"



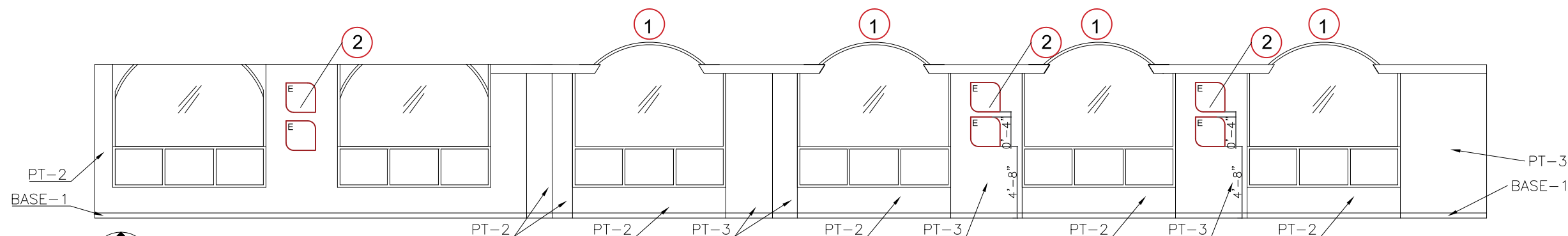
2 INTERIOR ELEVATION
 SCALE: 1'-0" = 1/4"

- NOTES:**
1. FINISH EXISTING TEXTURE IN ALL BARREL CEILINGS TO A SMOOTH FINISH, PNT-1
 2. BUZZIMOOD TILE PRODUCTS, (OFOI)
 - A - LIGHT GREEN MOSS SQUARE D - (4)
 - B - LIGHT GREEN MOSS ROUND - (4)
 - C - LIGHT GREEN MOSS RECTANGULAR D - (3)



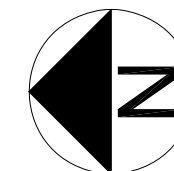
3 INTERIOR ELEVATION
 SCALE: 1'-0" = 1/4"

- NOTES:**
1. FINISH EXISTING TEXTURE IN ALL BARREL CEILINGS TO A SMOOTH FINISH, PNT-1
 2. BUZZI MOSS TILE PRODUCTS, (OFOI)
 - D - LIGHT GREEN MOSS RECTANGULAR LEAF - (6)



4 INTERIOR ELEVATION
 SCALE: 1'-0" = 1/4"

- NOTES:**
1. FINISH EXISTING TEXTURE IN ALL BARREL CEILINGS TO A SMOOTH FINISH, PNT-1
 2. BUZZI MOSS TILE PRODUCTS, (OFOI)
 - E - LIGHT GREEN MOSS - (6)



APPROVED BY APPR_BY
 DATE 8-8-23
 SCALE 1/8"=1'-0"

LAST REVISED ON 2-8-24
 LAST REVISED BY AL
 ADENDUM 2-21-24

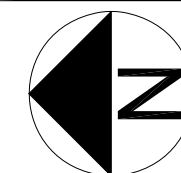
BUILDING NO.

6

SHEET

4 of 6

**MSU UNION - FOOD COURT
 REFLECTED CEILING PLAN**

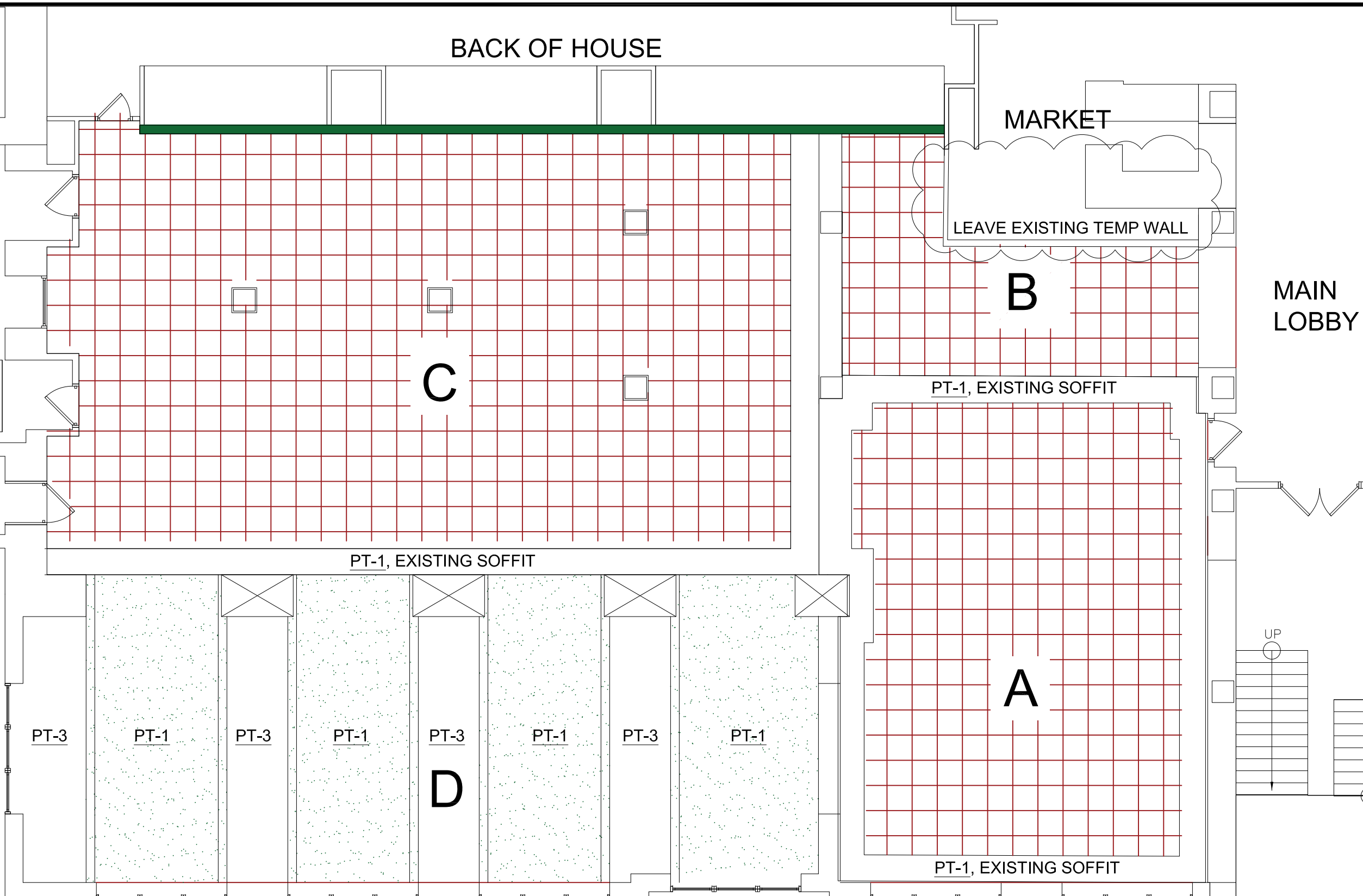


APPROVED BY APPR_BY _____
 DATE 8-8-23
 SCALE 1/8"=1'-0"

LAST REVISED ON 2-8-24
 LAST REVISED BY AL
 ADDENDUM 2-21-24

BUILDING NO. **6**

SHEET **5 of 6**



RCP NOTES:

1. SEE SUPPLEMENTAL ELECTRICAL DRAWINGS INCLUDED FOR LIGHTING SPECIFICATIONS AND LOCATIONS. SHEETS E-1, E-2, AND E-3.
2. PAINT ALL EXISTING SOFFITS IN AREA A,B AND C PT-1
3. PAINT BARREL CEILINGS IN AREA D, PT-1
4. PAINT FLAT CEILINGS IN AREA D, PT-3
5. ACCENT CEILING TILE (OFCI) IN AREA A - MFG: FACT, PROD: CALM-BRANCHES TILE, GRID: 9/16", TILE TYPE: TEGULAR, CLOSED TILE, COLOR: F02 LIGHT GRAY, CLOSED TILE LAYER COLOR: DIVINA MD COLOR 0943. PRODUCT REPLACES STANDARD 24X24 TILE.
6. GENERAL CEILING TILE IN AREA B AND C - MFG: USG INTERIORS, RADAR, WHITE, 2110 SQUARE EDGE (CFCI) COORDINATE WITH PPO PROJECT MANAGER ON HOW MANY TILES TO ORDER AS THE ACCENT CEILING TILE SPECIFIED WILL REPLACE VARIOUS STANDARD TILES.
7. CEILING GRID IN AREA A,B,C - MFG: USG INTERIORS, DONN DX 15/16" WHITE. INSTALL NEW CEILING GRID AT THE SAME HEIGHT AFF AS EXISTING. (CFCI)

PAINT SPECS

- PT-1 SHERWIN WILLIAMS - CEILING WHITE
 - PT-2 SHERWIN WILLIAMS - LIGHT GRAY
 - PT-3 SHERWIN WILLIAMS - DARK GREEN
 - PT-4 SHERWIN WILLIAMS - DARK GRAY
 - PT-5 SHERWIN WILLIAMS - RUST
- *PAINT COLORS WILL BE PROVIDED BY THE PROJECT MANAGER

DECORATIVE CEILING TILE



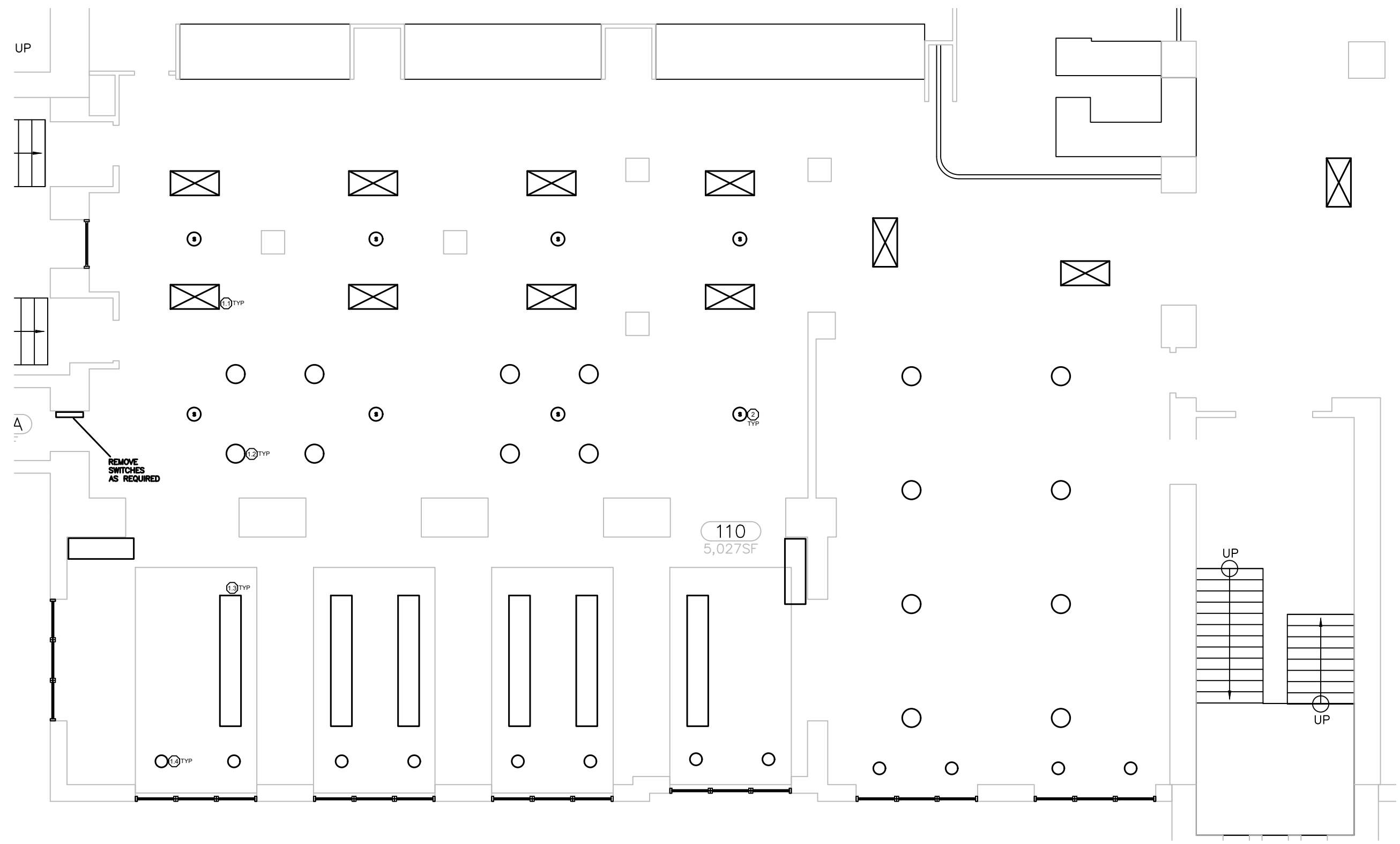
AREA A - 100 TILES
 AREA B - 50 TILES
 AREA C - 150 TILES

MSU PROJ. NO.
PR226584

PR. MGR.	_____
ARCH.	_____
MECH.	_____
ELEC.	HOWARD
CIVIL	_____
L.A.	_____
INT. DES.	_____
CONST. REP.	_____
APPR.	_____
DATE	02/20/2024
SCALE	AS NOTED
ISSUED	_____
RELEASED FOR BID	_____

ELECTRICAL
DEMOLITION PLANS

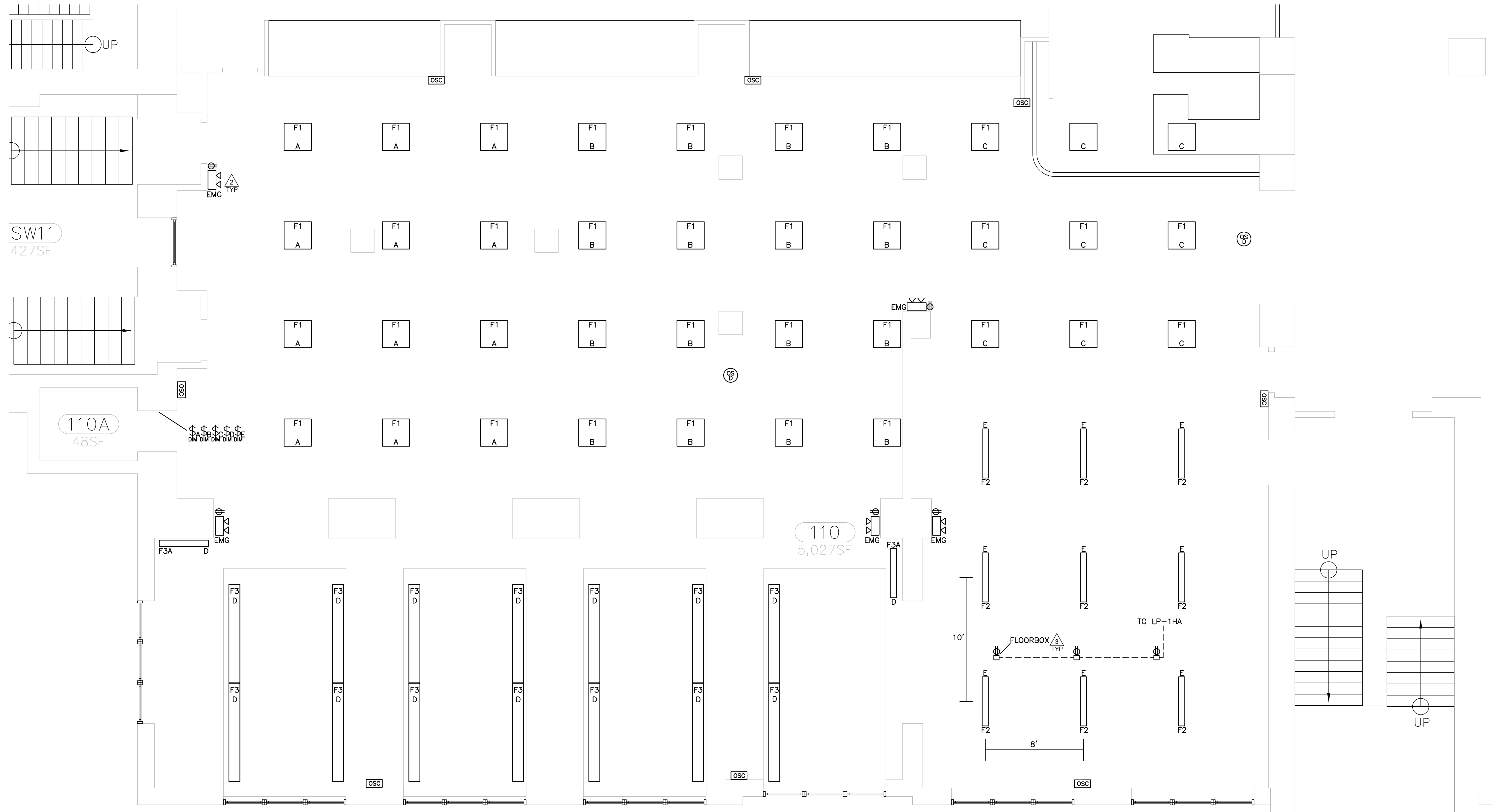
E-1



LIGHTING DEMOLITION PLAN
 SCALE: 1/4" = 1'-0"
 1/4"=1'-0" 0 2 4 8

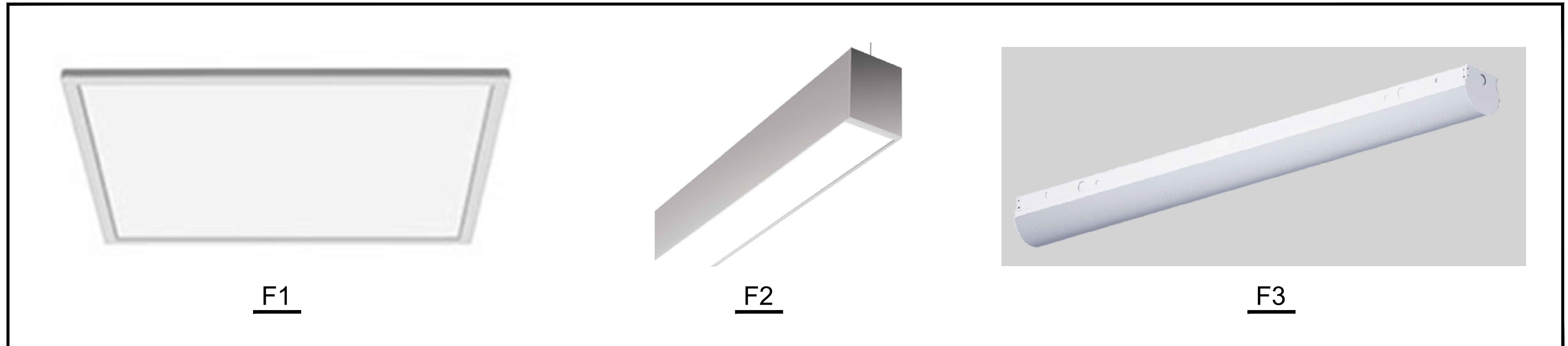
ELECTRICAL DEMOLITION PLAN NOTES:

- ① REMOVE LIGHTING FIXTURES AND SWITCHING. LIGHTING CIRCUITS TO BE RE-USED
 PROVIDE STAINLESS STEEL COVER PLATES OVER ABANDONED SINGLE GANG BOXES.
 - 1.1. 2'X4' LIGHTING FIXTURES
 - 1.2. CAN DOWNLIGHTS
 - 1.3. RECESSED COVE LIGHTING FIXTURES
 - 1.4. PENDANT LIGHTING FIXTURES
- ② BY MSU I.T. SERVICES: REMOVE CEILING SPEAKERS AND CONDUIT/WIRING.



LIGHTING/POWER PLAN

SCALE: 1/4" = 1'-0"



F1

F2

F3

PROPOSED LIGHTING FIXTURES

LIGHTING/POWER PLAN NOTES:

1. PROVIDE LIGHTING FIXTURES AND LIGHTING CONTROLS. SEE LIGHTING FIXTURE SCHEDULE AND DETAILS. RE-USE EXISTING ROOM LIGHTING CIRCUIT. SET THE OCCUP SENSORS & ROOM CONTROLLER SETTINGS AS SHOWN ON THE LIGHTING DETAIL. PROVIDE J-HOOKS AROUND THE PERIMETER OF THE ROOM FOR THE LOW VOLTAGE LIGHTING CABLES. PROVIDE SURFACE MOUNTED 5 GANG ELECTRICAL BOX FOR (5) NEW DIMMABLE SWITCHES.
2. PROVIDE EMERGENCY LIGHTING UNITS WITH RECEPTACLE. CONNECT TO LIGHTING CIRCUIT IN THIS AREA. AIM THE OPTICS APPROX 30 DEGREES DOWN FROM HORIZONTAL AND 45 DEGREES TO THE SIDES.
3. PROVIDE (3) POKE THRU FLOOR BOXES WITH DUPLEX RECEPTACLES. PROVIDE 3/4" CONDUIT TO EACH FLOOR BOX WITH 2#10+12G TO PANEL LP-1HA LOCATED IN THE KITCHEN AREA. SPARE 20A CIRCUIT BREAKERS ARE AVAILABLE IN THE PANEL. FLOOR BOX P/N: HUBBELL S14RPTQUADALU OR EQUAL.

LIGHTING CONTROLS SEQUENCE OF OPERATION

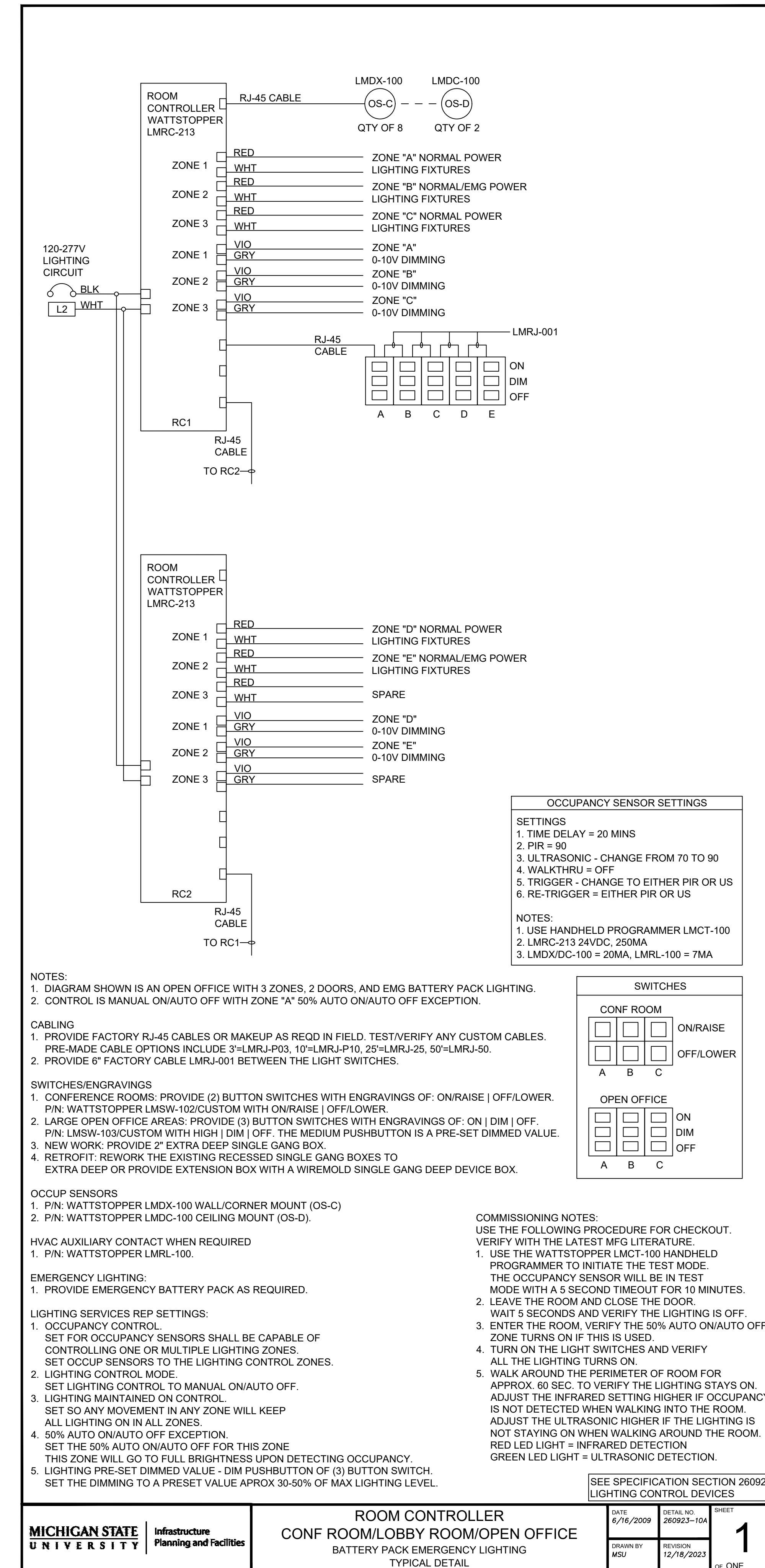
- ROOM 110**
1. MANUAL ON/AUTO OFF OPERATION FOR ALL LIGHTING ZONES WITH DIMMING.
 2. 50% AUTO ON/AUTO OFF EXCEPTION FOR LIGHTING ZONE C.

LIGHTING FIXTURE SCHEDULE

- F1:** LED FLAT PANEL: LITHONIA CPX-2X2-3200LM-80CRI-3500K-SWL-MIN10-ZT-MVOLT GRID MOUNT 2'X2', 3200 LUMEN, 4000K, 80CRI, 0-10V DIM, 31W, WHITE.
- F2: DIRECT/INDIRECT:**
1. LITE-CONTROL 4L-P-ID-STD-4-04-SOF-C1-40K9-1030-D125-D01-1C-UNV-FA2-L1 87" CABLE MOUNT, 4' x 4', SOFT DIFFUSE LAMBERTIAN DISTRIBUTION, 1250/300 DIRECT/INDIRECT LUM/FT, 4000K, 90CRI, 0-10V DIM, 50W, WHITE, SINGLE CIRCUIT, WHITE ROUND CANOPY.
 2. MARK ARCHITECTURAL S4PID-LSL-MSL-4-90CRI-40K-1200LMF-190CRI-140K-1300LMF -SCT-MINI-FULL-DC-MVOLT-WHIT-ZT-F-1-72A-RDCY-WHTCY-WCRD 72" CABLE MOUNT, 4' x 4', LAMBERTIAN DISTRIBUTION, 1200/300 DIRECT/INDIRECT LUM/FT, 4000K, 90CRI, 0-10V DIM, 48W, WHITE, SINGLE CIRCUIT, WHITE ROUND CANOPY, WHITE CORD.
- F3:** COVE LIGHT: ORACLE LIGHTING 8-OC1-LED-6000L-DIM10-MVOLT-40K-85-V3-CRM. SURFACE MOUNT, 3'X8', FROSTED ACRYLIC LENS, 6000 LUMEN, 4000K, 0-10V DIM, 40W, WHITE.
- F3A:** SAME AS F3 IN 4' LENGTH.
- EMG:** LITHONIA ELM6L-UVOLT-LTP-SDRT ADJUSTABLE OPTICS, 1100 LUMENS, 11W, WHITE.

MSU PROJ. NO.
PR226584

PR. MGR. _____
 ARCH. _____
 MECH. _____
 ELEC. HOWARD
 CIVIL _____
 L.A. _____
 INT. DES. _____
 CONST. REP. _____
 APPR. _____
 DATE 02/20/2024
 SCALE AS NOTED
 ISSUED
 RELEASED FOR BID



MSU PROJ. NO.	PRZ226584
PR. MGR.	_____
ARCH.	_____
MECH.	_____
ELEC.	HOWARD
CIVIL	_____
L.A.	_____
INT. DES.	_____
CONST. REP.	_____
APPR.	_____
DATE	02/20/2024
SCALE	AS NOTED
ISSUED	_____
RELEASED FOR BID	_____

State of Michigan

WHPWRequest@michigan.gov

General Request No.: 544

Requestor:

Project Description:

Project Number:

Statewide County
Commercial Prevailing Wage Rates

GENERAL INFORMATION

Page 1 of 29

Table with columns: Classification, Name, Description, Straight Hourly, Time and a Half, Double Time, Overtime Provision. Rows include A Operator (0-6 months) and A Operator (7-12 months) with their respective apprentice rates.

General Request #: 544
Requestor:
Project Description:
Project Number:
County: Statewide

GENERAL INFORMATION

Date Rendered: 2/22/2024

Commercial Prevailing Wage Rates

GENERAL INFORMATION

Page 2 of 29

<u>Classification</u>			Straight	Time and	Double	
Name	Description		Hourly	a Half	Time	Overtime Provision
<hr/>						
A Operator (over 1 yr)						
		IBEW 876 & IBEW 17 - Teledata	\$45.81	\$62.97	\$80.12	H H H X X X D Y
Apprentice Rates:						
	Lineman (6th - 6 months)		\$35.61	\$49.90	\$64.18	
	Lineman (5th - 6 months)		\$33.06	\$46.07	\$59.08	
	Lineman (4th - 6 months)		\$30.53	\$42.27	\$54.02	
	Lineman (3rd - 6 months)		\$27.99	\$38.47	\$48.94	
	Lineman (2nd - 6 months)		\$25.45	\$34.66	\$43.86	
	Lineman (1st - 6 months)		\$22.91	\$30.85	\$38.78	
B Operator (0-6 months)						
		IBEW 876 & IBEW 17 - Teledata	\$34.25	\$46.29	\$58.33	H H H X x X X D Y
Apprentice Rates:						
	Lineman (6th - 6 months)		\$35.61	\$49.90	\$64.18	
	Lineman (5th - 6 months)		\$33.06	\$46.07	\$59.08	
	Lineman (4th - 6 months)		\$30.53	\$42.27	\$54.02	
	Lineman (3rd - 6 months)		\$27.99	\$38.47	\$48.94	
	Lineman (2nd - 6 months)		\$25.45	\$34.66	\$43.86	
	Lineman (1st - 6 months)		\$22.91	\$30.85	\$38.78	
B Operator (over 6 months)						
		IBEW 876 & IBEW 17 - Teledata	\$39.35	\$53.65	\$67.94	H H H X X X D Y
Apprentice Rates:						
	Lineman (6th - 6 months)		\$35.61	\$49.90	\$64.18	
	Lineman (5th - 6 months)		\$33.06	\$46.07	\$59.08	
	Lineman (4th - 6 months)		\$30.53	\$42.27	\$54.02	
	Lineman (3rd - 6 months)		\$27.99	\$38.47	\$48.94	
	Lineman (2nd - 6 months)		\$25.45	\$34.66	\$43.86	
	Lineman (1st - 6 months)		\$22.91	\$30.85	\$38.78	

General Request #: 544
 Requestor:
 Project Description:
 Project Number:
 County: Statewide

GENERAL INFORMATION
 Date Rendered: 2/22/2024

Commercial Prevailing Wage Rates

GENERAL INFORMATION

<u>Classification</u>			Straight	Time and	Double	
Name	Description		Hourly	a Half	Time	Overtime Provision
<hr/>						
Boilermaker						
Boilermaker		B0169	\$72.47	\$107.55	\$142.63	H H H H H H D Y
Apprentice Rates:						
	1st Period		\$53.53	\$79.15	\$104.75	
	2nd Period		\$55.14	\$81.56	\$107.97	
	3rd Period		\$56.73	\$83.94	\$111.15	
	4th Period		\$58.31	\$86.31	\$114.31	
	5th Period		\$59.85	\$88.62	\$117.39	
	6th Period		\$63.03	\$93.39	\$123.75	
	7th Period		\$66.17	\$98.10	\$130.03	
	8th Period		\$69.32	\$102.83	\$136.33	
Bricklayer						
Brick Masonry, Stone Masonry, Artificial Masonry		BR2-31-BS	\$53.52	\$67.86	\$82.19	H H H H H H D N
Apprentice Rates:						
	0-749 hours		\$42.05	\$50.65	\$59.25	
	750-1,499 hours		\$43.49	\$52.81	\$62.13	
	1,500-2,249 hours		\$44.92	\$54.95	\$64.99	
	2,250-2,999 hours		\$46.35	\$57.10	\$67.85	
	3,000-3,749 hours		\$47.79	\$59.26	\$70.73	
	3,750-4,499		\$49.22	\$61.41	\$73.59	
	4,500-5,249 hours		\$50.65	\$63.55	\$76.45	
	5,250 hours		\$52.09	\$65.71	\$79.33	
Pointing, Caulking and Cleaning		BR2-31-PCC	\$53.52	\$67.86	\$82.19	H H H H H H D N
Apprentice Rates:						
	0-749 hours		\$43.49	\$52.81	\$62.13	
	750-1,499 hours		\$44.92	\$54.95	\$64.99	
	1,500- 2,249 hours		\$46.35	\$57.10	\$67.85	
	2.250 -2,999 hours		\$47.79	\$59.26	\$70.73	
	3,000-3,749 hours		\$24.37	\$36.56	\$48.74	
	3,750-4,499 hours		\$50.65	\$63.55	\$76.45	
	4,500 hours		\$53.52	\$67.85	\$82.19	

General Request #: 544
 Requestor:
 Project Description:
 Project Number:
 County: Ingham

GENERAL INFORMATION

Date Rendered: 2/22/2024

Commercial Prevailing Wage Rates

GENERAL INFORMATION

<u>Classification</u>			Straight	Time and	Double	
Name	Description		Hourly	a Half	Time	Overtime Provision
<hr/>						
Cable spicer or COE foreman		IBEW 876 & IBEW 17 - Teledata	\$42.53	\$58.24	\$73.94	H H H X X X X D Y
	Apprentice Rates:					
	Lineman (6th - 6 months)		\$35.61	\$49.90	\$64.18	
	Lineman (5th - 6 months)		\$33.06	\$46.07	\$59.08	
	Lineman (4th - 6 months)		\$30.53	\$42.27	\$54.02	
	Lineman (3rd - 6 months)		\$27.99	\$38.47	\$48.94	
	Lineman (2nd - 6 months)		\$25.45	\$34.66	\$43.86	
	Lineman (1st - 6 months)		\$22.91	\$30.85	\$38.78	
Cable spicer, Central Office Employee		IBEW 876 & IBEW 17 - Teledata	\$40.71	\$55.61	\$70.51	H H H X X X X D Y
	Apprentice Rates:					
	Lineman (6th - 6 months)		\$35.61	\$49.90	\$64.18	
	Lineman (5th - 6 months)		\$33.06	\$46.07	\$59.08	
	Lineman (4th - 6 months)		\$30.53	\$42.27	\$54.02	
	Lineman (3rd - 6 months)		\$27.99	\$38.47	\$48.94	
	Lineman (2nd - 6 months)		\$25.45	\$34.66	\$43.86	
	Lineman (1st - 6 months)		\$22.91	\$30.85	\$38.78	
Carpenter						
Resilient floorlayer		CA1004FL	\$49.49	\$64.19	\$78.89	X X H H H H H D N
	Apprentice Rates:					
	1st Year		\$38.95	\$48.46	\$57.97	
	2nd Year		\$40.31	\$50.50	\$60.69	
	3rd Year		\$43.02	\$54.57	\$66.11	
	4th Year		\$45.74	\$58.65	\$71.55	
Carpenter		CA1004L	\$50.82	\$65.79	\$80.75	X X H H H H H D N
	Apprentice Rates:					
	1st Year		\$41.84	\$52.32	\$62.79	
	2nd Year		\$43.34	\$54.57	\$65.79	
	3rd Year		\$46.33	\$59.05	\$71.77	
	4th Year		\$49.32	\$63.54	\$77.75	

General Request #: 544
 Requestor:
 Project Description:
 Project Number:
 County: Ingham

GENERAL INFORMATION

Date Rendered: 2/22/2024

Commercial Prevailing Wage Rates

GENERAL INFORMATION

Page 5 of 29

<u>Classification</u>			Straight	Time and	Double	
Name	Description		Hourly	a Half	Time	Overtime Provision
<hr/>						
Cell Tower Tech						
		IBEW 876 & IBEW 17 - Teledata	\$38.78	\$52.83	\$66.87	H H H X X X X D Y
Apprentice Rates:						
	Lineman (6th - 6 months)		\$35.61	\$49.90	\$64.18	
	Lineman (5th - 6 months)		\$33.06	\$46.07	\$59.08	
	Lineman (4th - 6 months)		\$30.53	\$42.27	\$54.02	
	Lineman (3rd - 6 months)		\$27.99	\$38.47	\$48.94	
	Lineman (2nd - 6 months)		\$25.45	\$34.66	\$43.86	
	Lineman (1st - 6 months)		\$22.91	\$30.85	\$38.78	
Cement Mason						
Cement Mason		BR2-31-CM	\$47.16	\$60.76	\$74.36	X H H H H H H D N
Apprentice Rates:						
	0-749 hours		\$37.64	\$46.48	\$55.32	
	750-1,499 hours		\$39.00	\$48.52	\$58.04	
	1,500-2,249 hours		\$40.36	\$50.56	\$60.76	
	2,250-2,999 hours		\$41.72	\$52.60	\$63.48	
	3,000-3,749 hours		\$43.08	\$54.64	\$66.20	
	3,750-4,499 hours		\$44.44	\$56.68	\$68.92	
	4,500 hours		\$47.16	\$60.76	\$74.36	
Cement Mason		CE514-L	\$47.09	\$61.77	\$76.45	H H H H H H H D Y
Apprentice Rates:						
	1st Year		\$36.81	\$46.35	\$55.89	
	2nd Year		\$39.75	\$50.76	\$61.77	
	3rd Year		\$42.69	\$55.17	\$67.65	
Communication Technician						
		IBEW 876 & IBEW 17 - Roadway	\$67.89	\$98.24	\$128.58	H H H H H H H D Y

General Request #: 544
 Requestor:
 Project Description:
 Project Number:
 County: Statewide

GENERAL INFORMATION
 Date Rendered: 2/22/2024

Commercial Prevailing Wage Rates

GENERAL INFORMATION

Page 6 of 29

<u>Classification</u>			Straight	Time and	Double	Overtime Provision
Name	Description		Hourly	a Half	Time	
<hr/>						
Drywall						
Drywall Taper and Finisher		PT-845-DF	\$44.64	\$58.17	\$71.75	H H H H H H D N

Apprentice Rates:

1st level	\$31.06	\$37.80	\$44.59
2nd level	\$36.49	\$45.95	\$55.45
3rd level	\$41.92	\$54.09	\$66.31

Electrician

Inside wireman		EC-252-IW	\$77.98	\$100.47	\$122.96	H H D H D D D D N
----------------	--	-----------	---------	----------	----------	-------------------

Apprentice Rates:

1st Period	\$44.21	\$51.51	\$59.94
2nd Period	\$50.44	\$62.70	\$74.95
3rd Period	\$55.95	\$69.44	\$82.94
4th Period	\$61.46	\$77.21	\$92.95
5th Period	\$66.96	\$84.95	\$102.94
6th Period	\$72.47	\$92.71	\$112.95

Subdivision of county Townships of Onondaga, Leslie, Stockbridge and Bunker Hill ONLY.

Sound and Communications Installer Technician BICSI certified & 6,000 OJT and Half \$73.16 Double Time \$91.99		EC-252-SC	\$51.10	\$66.96	\$83.79	H H D H D D D D N
--	--	-----------	---------	---------	---------	-------------------

Apprentice Rates:

Period 1	\$33.56	\$40.49	\$48.72
Period 2	\$35.31	\$43.02	\$52.07
Period 3	\$37.07	\$45.56	\$55.43
Period 4	\$38.82	\$48.11	\$58.80
Period 5	\$40.57	\$50.63	\$62.14
Period 6	\$44.09	\$55.70	\$68.85
Period 7	\$47.59	\$60.76	\$75.56
Period 8	\$49.34	\$63.29	\$78.92
Technician BICSI certification & 6,000 OJT	\$54.32	\$73.16	\$91.99

Subdivision of county Onondaga, Leslie, Stockbridge & Bunker Hill townships

General Request #: 544
 Requestor:
 Project Description:
 Project Number:
 County: Ingham

GENERAL INFORMATION

Date Rendered: 2/22/2024

Commercial Prevailing Wage Rates

GENERAL INFORMATION

Page 7 of 29

<u>Classification</u>			Straight	Time and	Double	Overtime Provision
Name	Description		Hourly	a Half	Time	
Inside Wireman		EC-665-IW	\$69.20	\$89.45	\$109.70	H H D H H H D D Y
	Apprentice Rates:					
	1st Period		\$27.98	\$36.52	\$45.06	
	2nd period		\$30.12	\$39.72	\$49.34	
	3rd Period		\$34.37	\$45.05	\$55.73	
	4th Period		\$49.01	\$62.90	\$76.79	
	5th Period		\$51.14	\$66.10	\$81.05	
	6th Period		\$53.28	\$69.31	\$85.33	
<u>Subdivision of county</u>	Lansing, Meridian, Williamston, Locke, Delhi, Alaiedon, Wheatfield, Leroy, Aurelius, Vevay, Ingham, & White Oak townships					
Sound and Communication Journeyman	a 4 day schedule of ten hours	EC-665-SD	\$66.56	\$86.06	\$105.56	H H D H H H D D Y
	a day is allowed Monday thru Friday.					
	Apprentice Rates:					
	1st period		\$26.80	\$35.03	\$43.26	
	2nd period		\$28.86	\$38.11	\$47.37	
	3rd period		\$32.98	\$43.26	\$53.55	
	4th period		\$47.07	\$60.45	\$73.82	
	5th period		\$49.13	\$63.53	\$77.94	
	6th period		\$51.19	\$66.63	\$82.05	
<u>Subdivision of county</u>	Lansing, Meridian, Williamston, Locke, Delhi, Alaiedon, Wheatfield, Leroy, Aurelius, Vevay, Ingham and White Oak townships					
Elevator Constructor						
Elevator Constructor Mechanic		EL-85	\$96.72		\$152.57	D D D D D D D D Y
	Apprentice Rates:					
	1st year		\$68.96		\$99.68	
	2nd year		\$74.88		\$111.18	
	3rd year		\$77.85		\$116.95	
	4th year		\$84.65		\$129.33	

General Request #: 544
 Requestor:
 Project Description:
 Project Number:
 County: Ingham

GENERAL INFORMATION
 Date Rendered: 2/22/2024

Commercial Prevailing Wage Rates

GENERAL INFORMATION

<u>Classification</u>			Straight	Time and	Double	
Name	Description		Hourly	a Half	Time	Overtime Provision
<hr/>						
Equipment Operator (line truck & man lifts)						
		IBEW 876 & IBEW 17 - Teledata	\$38.78	\$52.83	\$66.87	H H H X X X D Y
Apprentice Rates:						
	Lineman (6th - 6 months)		\$35.61	\$49.90	\$64.18	
	Lineman (5th - 6 months)		\$33.06	\$46.07	\$59.08	
	Lineman (4th - 6 months)		\$30.53	\$42.27	\$54.02	
	Lineman (3rd - 6 months)		\$27.99	\$38.47	\$48.94	
	Lineman (2nd - 6 months)		\$25.45	\$34.66	\$43.86	
	Lineman (1st - 6 months)		\$22.91	\$30.85	\$38.78	
Fiber Optic Splicer						
		IBEW 876 & IBEW 17 - Roadway	\$67.89	\$98.24	\$128.58	H H H H H H D Y
Foreman						
		IBEW 876 & IBEW 17 - Roadway	\$75.47	\$109.61	\$143.74	H H H H H H D Y
In charge of three man crew						
		IBEW 876 & IBEW 17 - Teledata	\$40.71	\$55.61	\$70.51	H H H X X X D Y
Apprentice Rates:						
	Lineman (6th - 6 months)		\$35.61	\$49.90	\$64.18	
	Lineman (5th - 6 months)		\$33.06	\$46.07	\$59.08	
	Lineman (4th - 6 months)		\$30.53	\$42.27	\$54.02	
	Lineman (3rd - 6 months)		\$27.99	\$38.47	\$48.94	
	Lineman (2nd - 6 months)		\$25.45	\$34.66	\$43.86	
	Lineman (1st - 6 months)		\$22.91	\$30.85	\$38.78	
Apprentice Rates:						
	Lineman (6th - 6 months)		\$35.61	\$49.90	\$64.18	
	Lineman (5th - 6 months)		\$33.06	\$46.07	\$59.08	
	Lineman (4th - 6 months)		\$30.53	\$42.27	\$54.02	
	Lineman (3rd - 6 months)		\$27.99	\$38.47	\$48.94	
	Lineman (2nd - 6 months)		\$25.45	\$34.66	\$43.86	
	Lineman (1st - 6 months)		\$22.91	\$30.85	\$38.78	

General Request #: 544
 Requestor:
 Project Description:
 Project Number:
 County: Statewide

GENERAL INFORMATION

Date Rendered: 2/22/2024

Commercial Prevailing Wage Rates

GENERAL INFORMATION

Page 9 of 29

<u>Classification</u>			Straight	Time and	Double	Overtime Provision
Name	Description		Hourly	a Half	Time	
Glazier						
Glazier	4 tens allowed on consecutive days	GL-826	\$49.84	\$67.73	\$85.62	H H H H H H H D Y
Apprentice Rates:						
	1st level		\$31.62	\$40.40	\$49.18	
	2nd level		\$35.12	\$45.66	\$56.18	
	3rd Level		\$40.38	\$53.54	\$66.70	
	4th level		\$45.66	\$61.46	\$77.26	
Heat and Frost Insulator						
Spray Insulation		AS25S	\$25.29	\$36.51	\$47.73	X X X H H H H H N
Heat and Frost Insulator and Asbestos Worker						
Heat and Frost Insulators and Asbestos Workers		AS47	\$52.00	\$68.89	\$85.77	X X X H H H H D Y
Apprentice Rates:						
	1st year		\$26.38	\$33.69	\$40.99	
	2nd year		\$30.15	\$38.92	\$47.68	
	3rd year		\$33.92	\$44.15	\$54.37	
	4th year		\$37.70	\$49.39	\$61.08	
	5th year		\$41.48	\$54.63	\$67.78	
IBEW 252						
Installer Technician		EC-252-sc				H H H D N
Apprentice Rates:						
	Period 1		\$33.56	\$40.49	\$48.72	
	Period 2		\$35.31	\$43.02	\$52.07	
	Period 3		\$37.07	\$45.56	\$55.43	
	Period 4		\$38.82	\$48.11	\$58.80	
	Period 5		\$40.57	\$50.63	\$62.14	
	Period 6		\$44.09	\$55.70	\$68.85	
	Period 7		\$47.59	\$60.76	\$75.56	
	Period 8		\$49.34	\$63.29	\$78.92	
	Technician BICSI certification & 6,000 OJT		\$54.32	\$73.16	\$91.99	

Subdivision of county Onondaga, Leslie, Stockbridge & Bunker Hill townships

General Request #: 544
 Requestor:
 Project Description:
 Project Number:
 County: Ingham

GENERAL INFORMATION

Date Rendered: 2/22/2024

Commercial Prevailing Wage Rates

GENERAL INFORMATION

<u>Classification</u>			Straight	Time and	Double	Overtime Provision
Name	Description		Hourly	a Half	Time	
<hr/>						
Installer - Repairman						
		IBEW 876 & IBEW 17 - Teledata	\$38.78	\$52.83	\$66.87	H H H X X X X D Y
		Apprentice Rates:				
	Lineman (6th - 6 months)		\$35.61	\$49.90	\$64.18	
	Lineman (5th - 6 months)		\$33.06	\$46.07	\$59.08	
	Lineman (4th - 6 months)		\$30.53	\$42.27	\$54.02	
	Lineman (3rd - 6 months)		\$27.99	\$38.47	\$48.94	
	Lineman (2nd - 6 months)		\$25.45	\$34.66	\$43.86	
	Lineman (1st - 6 months)		\$22.91	\$30.85	\$38.78	
Ironworker						
Reinforced Iron Work		IR-25-RF	\$69.51	\$85.85	\$102.19	H H D H H D D D N
		Apprentice Rates:				
	Level 8		\$66.76	\$82.48	\$98.19	
	Level 7		\$66.76	\$82.48	\$98.19	
	Level 1		\$52.63	\$64.23	\$75.83	
	Level 2		\$54.68	\$66.77	\$78.86	
	Level 3		\$56.56	\$68.98	\$81.40	
	Level 4		\$59.41	\$72.65	\$85.88	
	Level 5		\$62.27	\$76.32	\$90.37	
	Level 6		\$66.76	\$82.48	\$98.19	
Rigging Work		IR-25-RIG	\$76.08	\$92.93	\$109.78	H H D H H H D D N
		Apprentice Rates:				
	Level 8		\$69.43	\$84.94	\$100.45	
	Level 1		\$51.75	\$62.38	\$73.01	
	Level 2		\$52.56	\$63.54	\$74.52	
	Level 3		\$54.83	\$66.33	\$77.83	
	Level 4		\$57.51	\$69.71	\$81.91	
	Level 5		\$60.60	\$73.67	\$86.74	
	Level 6		\$63.27	\$77.04	\$90.80	
	Level 7		\$66.35	\$80.99	\$95.62	

General Request #: 544
 Requestor:
 Project Description:
 Project Number:
 County: Ingham

GENERAL INFORMATION

Date Rendered: 2/22/2024

Commercial Prevailing Wage Rates

GENERAL INFORMATION

<u>Classification</u>			Straight	Time and	Double	
Name	Description		Hourly	a Half	Time	Overtime Provision

Structural, ornamental, welder and pre-cast	If bad weather, Friday may be a make up day. If holiday celebrated on a Monday, 4 10s may be worked Tuesday thru Friday.	IR-25-STR	\$76.21	\$102.75	\$129.29	H H D H H H D D Y
Apprentice Rates:						
	Level 8		\$69.43	\$84.94	\$100.45	
	Level 1		\$51.25	\$61.88	\$72.51	
	Level 2		\$52.56	\$63.54	\$74.52	
	Level 3		\$54.83	\$66.33	\$77.83	
	Level 4		\$57.51	\$70.34	\$83.17	
	Level 5		\$60.60	\$73.67	\$86.74	
	Level 6		\$63.27	\$77.04	\$90.80	
	Level 7		\$66.35	\$80.98	\$95.62	
Journeyman Signal Technician						
		IBEW 876 & IBEW 17 - Roadway	\$67.89	\$98.24	\$128.58	H H H H H H D Y
Journeyman Specialist						
		IBEW 876 & IBEW 17 - Roadway	\$76.98	\$111.87	\$146.76	H H H H H H D Y
Labor Crew Foreman						
		IBEW 876 & IBEW 17 - Roadway	\$61.86	\$89.19	\$116.52	H H H H H H D Y
Laborer						
Journeyman - building and heavy construction craft laborer, portable concrete mixer operator, air, electric or gasoline tool operator, hot dope carrier, tar kettle tender, gasoline vibrators, concrete gas buggies, concrete saw, signal person and top pe		L499L	\$38.53	\$51.20	\$63.86	X X H H H H D Y
Apprentice Rates:						
	0-1,000 hours		\$32.20	\$41.70	\$51.20	
	1,001-2,000 hours		\$33.46	\$43.60	\$53.73	
	2,001-3,000 hours		\$34.73	\$45.50	\$56.26	
	3,001-4,000 hours		\$37.26	\$49.30	\$61.33	
Ground Burner		L499LG	\$50.83	\$66.15	\$81.46	X X H H H H D Y

General Request #: 544
 Requestor:
 Project Description:
 Project Number:
 County: Ingham

GENERAL INFORMATION
 Date Rendered: 2/22/2024

Commercial Prevailing Wage Rates

GENERAL INFORMATION

Page 12 of 29

<u>Classification</u>		Straight Hourly	Time and a Half	Double Time	Overtime Provision
Name	Description				
High Burner	L499LH	\$51.33	\$66.90	\$82.46	H H H H H H D Y

Apprentice Rates:

Laborer Road Class 1: asphalt shoveler or loader, yard man, fence erector tender, dumper, joint filling, form setting, form stripper, pavement reinforcing, waterproofing, seal coating, bridge painting, sandblasting, pressure grouting, RC equipment	MITA-RZ2-C1	\$45.39	\$58.38	\$71.36	H H H H H H D Y
---	-------------	---------	---------	---------	-----------------

Apprentice Rates:

- 3,001-4,000 hours
- 2,001-3,000 hours
- 1,001-2,000 hours
- 0-1,000 hours

3,001-4,000 hours	\$44.09	\$56.42	\$68.76
2,001-3,000 hours	\$41.49	\$52.52	\$63.56
1,001-2,000 hours	\$40.20	\$50.59	\$60.98
0-1,000 hours	\$38.90	\$48.64	\$58.38

Laborer Road Class 2: mixer operator, air or electric tool operator, spreader, boxman, concreter paddler, power chain saw operator, paving patch truck dumper, tunnel mucker, concrete saw operator, dry pack machine and roto-mill grounds person	MITA-RZ2-C2	\$45.59	\$58.18	\$71.26	H H H H H H D Y
--	-------------	---------	---------	---------	-----------------

Apprentice Rates:

- 3,001-4,000 hours
- 2,001-3,000 hours
- 1,001-2,000 hours
- 0-1,000 hours

3,001-4,000 hours	\$44.28	\$56.21	\$68.64
2,001-3,000 hours	\$41.66	\$52.28	\$63.40
1,001-2,000 hours	\$40.36	\$50.33	\$60.80
0-1,000 hours	\$39.05	\$48.36	\$58.18

Laborer Road Class 3: tunnel miner, finish tenders, guard rail builder, median barrier installer, earth retention barrier and wall installer, fence erector, bottom man, powder man, wagon drill and air track operator, curb and side rail setter	MITA-RZ2-C3	\$45.43	\$58.64	\$71.84	H H H H H H D Y
--	-------------	---------	---------	---------	-----------------

Apprentice Rates:

- 3,001-4,000 hours
- 2,001-3,000 hours
- 1,001-2,000 hours
- 0-1,000 hours

3,001-4,000 hours	\$44.11	\$56.66	\$69.20
2,001-3,000 hours	\$41.47	\$52.70	\$63.92
1,001-2,000 hours	\$40.15	\$50.72	\$61.28
0-1,000 hours	\$38.83	\$48.74	\$58.64

General Request #: 544
 Requestor:
 Project Description:
 Project Number:
 County: Ingham

GENERAL INFORMATION

Date Rendered: 2/22/2024

Commercial Prevailing Wage Rates

GENERAL INFORMATION

Page 13 of 29

<u>Classification</u>			Straight	Time and	Double	Overtime Provision
Name	Description		Hourly	a Half	Time	

Laborer Road Class 4:	asphalt raker	MITA-RZ2-C4	\$46.18	\$59.56	\$72.94	H H H H H H D Y
	Apprentice Rates:					
	3,001-4,000 hours		\$44.84	\$57.55	\$70.26	
	2,001-3,000 hours		\$42.17	\$53.54	\$64.92	
	1,001-2,000 hours		\$40.83	\$51.54	\$62.24	
	0-1,000 hours		\$39.49	\$49.52	\$59.56	
Laborer Road Class 5:	pipe layers, oxy-gun	MITA-RZ2-C5	\$46.05	\$59.37	\$72.68	H H H H H H D Y
	Apprentice Rates:					
	3,001-4,000 hours		\$44.72	\$57.37	\$70.02	
	2,001-3,000 hours		\$42.06	\$53.38	\$64.70	
	1,001-2,000 hours		\$40.72	\$51.37	\$62.02	
	0-1,000 hours		\$39.39	\$49.38	\$59.36	
Laborer Road Class 6:	line form setter for curb or pavement, asphalt screed checker/screw man on asphalt paving machines	MITA-RZ2-C6	\$46.39	\$59.88	\$73.36	H H H H H H D Y
	Apprentice Rates:					
	3,001-4,000 hours		\$45.04	\$57.85	\$70.66	
	2,001-3,000 hours		\$42.34	\$53.80	\$65.26	
	1,001-2,000 hours		\$41.00	\$51.79	\$62.58	
	0-1,000 hours		\$39.65	\$49.76	\$59.88	
Laborer Road Class 7:	concrete specialist - including finishing and trowling, cast in place or precast by any method	MITA-RZ2-C7	\$48.96	\$63.73	\$78.50	H H H H H H D Y
	Apprentice Rates:					
	3,001-4,000 hours		\$47.48	\$61.51	\$75.54	
	2,001-3,000 hours		\$44.53	\$57.08	\$69.64	
	1,001-2,000 hours		\$43.05	\$54.86	\$66.68	
	0-1,000 hours		\$41.58	\$52.66	\$63.74	
Asbestos & Lead Abatement Laborer	4 ten hour days @ straight time allowed Monday-Saturday, must be consecutive calendar days	MLDC	\$50.60	\$65.37	\$80.13	H H H X X X D Y
	Apprentice Rates:					
	Trainee 600 hours +1 year		\$34.07			

General Request #: 544
 Requestor:
 Project Description:
 Project Number:
 County: Ingham

GENERAL INFORMATION
 Date Rendered: 2/22/2024

Commercial Prevailing Wage Rates

GENERAL INFORMATION

Page 14 of 29

Classification Name Description		Straight Hourly	Time and a Half	Double Time	Overtime Provision
Laborer - Hazardous					
Class A Laborer - performing work in conjunction with site preparation and other preliminary work prior to actual removal, handling, or containment of hazardous waste substances not requiring use of personal protective equipment required by state or feder	LHAZ-Z6-A	\$38.53	\$51.20	\$63.86	H H H H H H H D Y
Apprentice Rates:					
0-1,000 work hours		\$32.20	\$41.70	\$51.20	
1,001-2,000 work hours		\$33.46	\$47.09	\$60.72	
2,001-3,000 work hours		\$34.73	\$45.50	\$56.26	
3,001-4,000 work hours		\$37.26	\$49.29	\$61.32	
Class B Laborer - performing work in conjunction with the removal, handling, or containment of hazardous waste substances when the use of personal protective equipment levels "A", "B" or "C" is required.	LHAZ-Z6-B	\$39.53	\$52.70	\$65.86	H H H H H H H D Y
Apprentice Rates:					
0-1,000 work hours		\$32.95	\$42.82	\$52.70	
1,001-2,000 work hours		\$34.26	\$44.79	\$55.32	
2,001-3,000 work hours		\$35.58	\$46.77	\$57.96	
3,001-4,000 work hours		\$38.21	\$50.72	\$63.22	
Laborer - Landscape					
Class B1: Landscape Operator includes air, gas, and diesel equipment operator, lawn sprinkler installer, skidsteer, mini excavators, backhoe loaders, ride and walk behind trenchers, off road dump vehicle, articulated haulers, hydroseeder, wheel loaders	LLAN-Z1-A	\$32.40	\$42.43	\$52.95	X X H X X X H D Y
Class B2: Skilled Landscape Laborer: small power tool operator, lawn sprinkler installers' tender, irrigation installers' tender, material mover	LLAN-Z1-B	\$30.40	\$39.93	\$49.45	X X H X X X H D Y
Class B1: Landscape Operator includes air, gas, and diesel equipment operator, lawn sprinkler installer, skidsteer, mini excavators, ride and walk behind trenchers, backhoe loaders, off road dump vehicle, articulated haulers, hydroseeder, wheel loaders	LLAN-Z2-A	\$32.40	\$42.96	\$53.48	X X H X X X H D Y
Class B2: Skilled Landscape Laborer: small power tool operator, lawn sprinkler installers' tender, irrigation installers' tender material mover	LLAN-Z2-B	\$30.40	\$39.93	\$49.45	X X H X X X H D Y
Class C: landscape laborer with 90 or more calendar days worked	LLAN-Z2-C	\$24.66	\$33.27	\$41.87	H H H H H H H D N
Class D: Inexperienced landscape laborer - individual who has worked less than 90 calendar days	LLAN-Z2-D	\$15.54	\$23.31	\$31.08	H H H H H H H D N

General Request #: 544
 Requestor:
 Project Description:
 Project Number:
 County: Ingham

GENERAL INFORMATION
 Date Rendered: 2/22/2024

Commercial Prevailing Wage Rates

GENERAL INFORMATION

Page 15 of 29

<u>Classification</u>			Straight	Time and	Double	Overtime Provision
Name	Description		Hourly	a Half	Time	
Laborer Underground - Tunnel, Shaft & Caisson						
Class I - Tunnel, shaft and caisson laborer, dump man, shanty man, hog house tender, testing man (on gas), and watchman.	LAUCT-Z2-1		\$38.97	\$50.26	\$61.54	X X X X X X X D Y
Apprentice Rates:						
	0-1,000 work hours		\$32.85	\$42.64	\$52.43	
	1,001-2,000 work hours		\$33.97	\$44.32	\$54.67	
	2,001-3,000 work hours		\$35.08	\$45.99	\$56.89	
	3,001-4,000 work hours		\$37.31	\$49.33	\$61.35	
Class II - Manhole, headwall, catch basin builder, bricklayer tender, mortar man, material mixer, fence erector, and guard rail builder	LAUCT-Z2-2		\$39.06	\$50.39	\$61.72	X X X X X X X D Y
Apprentice Rates:						
	0-1,000 work hours		\$32.92	\$42.75	\$52.57	
	1,001-2,000 work hours		\$34.04	\$44.43	\$54.81	
	2,001-3,000 work hours		\$35.16	\$46.11	\$57.05	
	3,001-4,000 work hours		\$37.39	\$49.45	\$61.51	
Class III - Air tool operator (jack hammer man, bush hammer man and grinding man), first bottom man, second bottom man, cage tender, car pusher, carrier man, concrete man, concrete form man, concrete repair man, cement invert laborer, cement finisher, con	LAUCT-Z2-3		\$39.16	\$50.54	\$61.92	X X X X X X X D Y
Apprentice Rates:						
	0-1,000 work hours		\$32.99	\$42.85	\$52.71	
	1,001-2,000 work hours		\$34.12	\$44.55	\$54.97	
	2,001-3,000 work hours		\$35.24	\$46.23	\$57.21	
	3,001-4,000 work hours		\$37.49	\$49.60	\$61.71	
Class IV - Tunnel, shaft and caisson mucker, bracer man, liner plate man, long haul dinky driver and well point man.	LAUCT-Z2-4		\$39.58	\$51.17	\$62.76	X X X X X X X D Y
Apprentice Rates:						
	0-1,000 work hours		\$33.11	\$43.03	\$52.95	
	1,001-2,000 work hours		\$34.25	\$44.74	\$55.23	
	2,001-3,000 work hours		\$35.38	\$46.43	\$57.49	
	3,001-4,000 work hours		\$37.64	\$49.83	\$62.01	

General Request #: 544
 Requestor:
 Project Description:
 Project Number:
 County: Ingham

GENERAL INFORMATION

Date Rendered: 2/22/2024

Commercial Prevailing Wage Rates

GENERAL INFORMATION

<u>Classification</u>		Straight Hourly	Time and a Half	Double Time	Overtime Provision
Name	Description				

Class V - Tunnel, shaft and caisson miner, drill runner, keyboard operator, power knife operator, reinforced steel or mesh man (e.g. wire mesh, steel mats, dowel bars)	LAUCT-Z2-5	\$39.58	\$51.17	\$62.76	X X X X X X X D Y
Apprentice Rates:					
	0-1,000 work hours	\$33.31	\$43.33	\$53.35	
	1,001-2,000 work hours	\$34.45	\$45.04	\$55.63	
	2,001-3,000 work hours	\$35.60	\$46.77	\$57.93	
	3,001-4,000 work hours	\$37.89	\$50.20	\$62.51	
Class VI - Dynamite man and powder man.	LAUCT-Z2-6	\$39.34	\$52.38	\$65.41	X X X X X X X D Y
Apprentice Rates:					
	0-1,000 work hours	\$33.54	\$43.67	\$53.81	
	1,001-2,000 work hours	\$34.70	\$45.41	\$56.13	
	2,001-3,000 work hours	\$35.86	\$47.15	\$58.45	
	3,001-4,000 work hours	\$38.18	\$50.63	\$63.09	
Class VII - Restoration laborer, seeding, sodding, planting, cutting, mulching and topsoil grading and the restoration of property such as replacing mail boxes, wood chips, planter boxes and flagstones.	LAUCT-Z2-7	\$32.16	\$40.04	\$47.92	X X X X X X X D Y
Apprentice Rates:					
	0-1,000 work hours	\$27.75	\$34.99	\$42.23	
	1,001-2,000 work hours	\$28.52	\$36.15	\$43.77	
	2,001-3,000 work hours	\$29.29	\$37.30	\$45.31	
	3,001-4,000 work hours	\$30.84	\$39.63	\$48.41	
Laborer -Underground Open Cut, Class I					
Construction Laborer	LAUC-Z3-1	\$36.91	\$47.01	\$57.10	X X X X X X X D Y
Apprentice Rates:					
	0-1,000 work hours	\$31.39	\$40.40	\$49.41	
	1,001-2,000 work hours	\$32.38	\$41.88	\$51.39	
	2,001-3,000 work hours	\$33.38	\$43.38	\$53.39	
	3,001-4,000 work hours	\$35.37	\$46.37	\$57.37	

General Request #: 544
 Requestor:
 Project Description:
 Project Number:
 County: Ingham

GENERAL INFORMATION
 Date Rendered: 2/22/2024

Commercial Prevailing Wage Rates

GENERAL INFORMATION

Page 17 of 29

Classification Name Description		Straight Hourly	Time and a Half	Double Time	Overtime Provision
Laborer -Underground Open Cut, Class II					
Mortar and material mixer, concrete form man, signal man, well point man, manhole, headwall and catch basin builder, guard rail builders, headwall, seawall, breakwall, dock builder and fence erector.	LAUC-Z3-2	\$37.05	\$47.22	\$57.38	X X X X X X X D Y
Apprentice Rates:					
0-1,000 work hours		\$31.49	\$40.55	\$49.61	
1,001-2,000 work hours		\$32.49	\$42.05	\$51.61	
2,001-3,000 work hours		\$33.50	\$43.56	\$53.63	
3,001-4,000 work hours		\$35.50	\$46.56	\$57.63	
Laborer -Underground Open Cut, Class III					
Air, gasoline and electric tool operator, vibrator operator, drillers, pump man, tar kettle operator, bracers, rodder, reinforced steel or mesh man (e.g. wire mesh, steel mats, dowel bars, etc.), cement finisher, welder, pipe jacking and boring man, wagon	LAUC-Z3-3	\$37.17	\$47.40	\$57.62	X X X X X X X D Y
Apprentice Rates:					
0-1,000 work hours		\$31.58	\$40.68	\$49.79	
1,001-2,000 work hours		\$32.59	\$42.20	\$51.81	
2,001-3,000 work hours		\$33.60	\$43.72	\$53.83	
3,001-4,000 work hours		\$35.61	\$46.73	\$57.85	
Laborer -Underground Open Cut, Class IV					
Trench or excavating grade man.	LAUC-Z3-4	\$37.22	\$47.47	\$57.72	X X X X X X X D Y
Apprentice Rates:					
0-1,000 work hours		\$31.62	\$40.74	\$49.87	
1,001-2,000 work hours		\$32.63	\$42.26	\$51.89	
2,001-3,000 work hours		\$33.64	\$43.78	\$53.91	
3,001-4,000 work hours		\$35.66	\$46.80	\$57.95	
Laborer -Underground Open Cut, Class V					
Pipe Layer (including crock, metal pipe, multiplate or other conduits)	LAUC-Z3-5	\$37.36	\$47.68	\$58.00	X X X X X X X D Y
Apprentice Rates:					
0-1,000 work hours		\$31.73	\$40.91	\$50.09	
1,001-2,000 work hours		\$32.74	\$42.42	\$52.11	
2,001-3,000 work hours		\$33.76	\$43.96	\$54.15	
3,001-4,000 work hours		\$35.79	\$47.00	\$58.21	

General Request #: 544
 Requestor:
 Project Description:
 Project Number:
 County: Ingham

GENERAL INFORMATION
 Date Rendered: 2/22/2024

Commercial Prevailing Wage Rates

GENERAL INFORMATION

Page 18 of 29

<u>Classification</u>						
Name	Description		Straight Hourly	Time and a Half	Double Time	Overtime Provision
Laborer -Underground Open Cut, Class VI						
	Grouting man, top man assistant, audio visual television operations and all other operations in connection with closed circuit television inspection, pipe cleaning and pipe relining work and the installation & repair of water service pipe & appurtenances	LAUC-Z3-6	\$34.66	\$43.63	\$52.60	X X X X X X X D Y
Apprentice Rates:						
	0-1,000 work hours		\$29.70	\$37.86	\$46.03	
	1,001-2,000 work hours		\$30.58	\$39.18	\$47.79	
	2,001-3,000 work hours		\$31.46	\$40.50	\$49.55	
	3,001-4,000 work hours		\$33.23	\$43.16	\$53.09	
Laborer -Underground Open Cut, Class VII						
	Restoration laborer, seeding, sodding, planting, cutting, mulching and topsoil grading and the restoration of property such as replacing mail boxes, wood chips, planter boxes, flagstones etc.	LAUC-Z3-7	\$31.81	\$39.36	\$46.90	X X X X X X X D Y
Apprentice Rates:						
	0-1,000 work hours		\$27.56	\$34.66	\$41.75	
	1,001-2,000 work hours		\$28.30	\$35.76	\$43.23	
	2,001-3,000 work hours		\$29.04	\$36.88	\$44.71	
	3,001-4,000 work hours		\$30.52	\$39.10	\$47.67	
Landscape Laborer						
	Class A: Irrigation Foremen and Construction Foremen.	LLAN-Z1-A	\$34.62	\$46.26	\$57.89	x X H X X x H D Y H
Landscape Laborer						
	Class A: Irrigation Foremen and Construction Foremen.	LLAN-Z1	\$34.62	\$46.26	\$57.89	X X H X X X X D Y
<i>Subdivision of county</i> Zones 1 & 2						
Lineman, Teledata Wireman						
		IBEW 876 & IBEW 17 - Teledata	\$38.78	\$52.83	\$66.87	H H H X X X X D Y
Apprentice Rates:						
	Lineman (6th - 6 months)		\$35.61	\$49.90	\$64.18	
	Lineman (5th - 6 months)		\$33.06	\$46.07	\$59.08	
	Lineman (4th - 6 months)		\$30.53	\$42.27	\$54.02	
	Lineman (3rd - 6 months)		\$27.99	\$38.47	\$48.94	
	Lineman (2nd - 6 months)		\$25.45	\$34.66	\$43.86	
	Lineman (1st - 6 months)		\$22.91	\$30.85	\$38.78	

General Request #: 544
 Requestor:
 Project Description:
 Project Number:
 County: Statewide

GENERAL INFORMATION

Date Rendered: 2/22/2024

Commercial Prevailing Wage Rates

GENERAL INFORMATION

<u>Classification</u>						
Name	Description		Straight Hourly	Time and a Half	Double Time	
					Overtime Provision	
Operating Engineer						
Forklift, lull, extend-a-boom forklift	Work in excess of 12 per day M-F shall be paid at double time.	EN-324-FL	\$63.36	\$79.81	\$96.25	X X X X D D D D Y
Class I - diver/wet tender, engineer, blaster, leverman		EN-324-Statewide	\$82.82	\$107.82	\$132.82	x x X X X X X D N H
Class III - Deck equip. operator, maintenance of crane or excavator, tug/launch operator, loader/dozer on barge/deck machinery, truck-able tug, lead surveyor, ROV operator, AB deckhand, welder		EN-324-Statewide-III	\$76.82	\$98.82	\$120.82	X X X X X X X D N
Class IV - Deck equipment operator, machineryman/fireman, off road trucks, deck hand, tug engineer, assistant tug operator, blaster helper, deck hand, jet machine, subsea plow, trencher, tug engineer		EN-324-Statewide-IV	\$72.32	\$92.07	\$111.82	H X X X X X X D N x
Ind. Forklift/forktruck under 5,000 lb capacity power jacks/poer packs, composite crew only		EN-324-SW	\$64.70	\$81.75	\$98.80	H H D H H H D D Y
Compressor or Welding Machine	Four 10 hour days may be scheduled Monday-Thursday or Tuesday-Friday. Work not performed due to weather, Monday-Thursday may be scheduled on Friday.	EN-AC	\$56.05	\$69.32	\$82.58	X X X X D D D D Y
Forklift or Straight Mast		EN-F	\$57.50	\$71.40	\$85.29	X X X X D D D D Y
	Four 10 hour days may be scheduled M-Th or T-F. Work not performed due to weather on M-Th may be scheduled on Friday					
Fireman or Oiler		EN-FO	\$55.02	\$67.84	\$80.65	X X X X D D D D Y
	Four 10 hour days may be scheduled Monday-Thursday or Tuesday-Friday. Work not performed due to weather, Monday-Thursday may be scheduled on Friday.					
Lull or Extend-a-Boom Forklift	Four 10 hour days may be scheduled M-Th or T-F. Work not performed due to weather on M-Th may be scheduled on Friday	en-l	\$59.73	\$77.09	\$94.45	X X H H D D D D Y
Crane with main boom & jib 120' or longer	Four 10 hour days may be scheduled Monday-Thursday or Tuesday-Friday. Worked not performed due to weather, Monday-Thursday may be scheuled Friday	en-os120	\$63.27	\$82.40	\$101.53	X X H H D D D D Y
Crane w/ main Boom & Jib 220' or longer	Four 10 hour days may be scheduled Monday-Thursday or Tuesday-Friday. Work not performed due to weather, Monday-Thursday may be scheduled on Friday.	EN-OSA	\$64.38	\$84.07	\$103.75	X X H H D D D D Y

General Request #: 544
 Requestor:
 Project Description:
 Project Number:
 County: Ingham

GENERAL INFORMATION

Date Rendered: 2/22/2024

Commercial Prevailing Wage Rates

GENERAL INFORMATION

Classification Name Description		Straight Hourly	Time and a Half	Double Time	Overtime Provision
Crane w/ main Boom & Jib 300' or longer scheduled Monday-Thursday or Tuesday-Friday. Work unable to be performed due to weather, Monday-Thursday may be scheduled on Friday.	EN-OSA3	\$65.89	\$86.33	\$106.77	X X H H D D D D Y
Crane w/ main Boom & Jib 400' or longer scheduled Monday-Thursday or Tuesday-Friday. Work not performed due to weather, Monday-Thursday may be scheduled on Friday.	EN-OSA4	\$78.46	\$101.49	\$124.52	X X X X X X X D Y
Crane with main boom and jib 140' or longer scheduled Monday-Thursday or Tuesday-Friday. Work unable to be performed due to weather, Monday-Thursday may be scheduled on Friday.	EN-OSB	\$64.09	\$83.63	\$103.17	X X H H D D D D Y
Regular Crane Operator, Job Mechanic, Concrete Pump with Boom Four 10 hour days may be scheduled Monday-Thursday or Tuesday-Friday. Work not performed due to weather, Monday-Thursday may be scheduled on Friday.	EN-RC	\$66.04	\$83.65	\$101.26	X X X X D D D D Y

Apprentice Rates:

0-999 hours	\$51.13	\$64.18	\$77.22
1,000-1,999 hours	\$52.99	\$66.96	\$80.94
2,000-2,999 hours	\$54.86	\$69.77	\$84.68
3,000-3,999 hours	\$56.72	\$72.56	\$88.40
4,000-4,999 hours	\$58.59	\$75.36	\$92.14
5,000-5,999 hours	\$60.44	\$78.15	\$95.84

Regular Engineer, Hydro Excavator & Remote Controlled Concrete Breaker Four 10 hour days may be scheduled Monday-Thursday or Tuesday-Friday. Work not performed due to weather, Monday-Thursday may be scheduled on Friday.	en-re	\$65.07	\$82.26	\$99.44	X X X X D D D D Y
--	-------	---------	---------	---------	-------------------

Apprentice Rates:

5,000-5,999 hours	\$63.09	\$81.87	\$100.64
4,000-4,999 hours	\$61.11	\$78.90	\$96.68
3,000-3,999 hours	\$59.13	\$75.93	\$92.72
2,000-2,999 hours	\$57.16	\$72.97	\$88.78
1,000-1,999 hours	\$55.19	\$70.02	\$84.84
1-999 hours	\$53.21	\$67.02	\$80.85

General Request #: 544
 Requestor:
 Project Description:
 Project Number:
 County: Ingham

GENERAL INFORMATION

Date Rendered: 2/22/2024

Commercial Prevailing Wage Rates

GENERAL INFORMATION

<u>Classification</u>						
Name	Description		Straight Hourly	Time and a Half	Double Time	
					Overtime Provision	
Journeyman - Class IV	OE-324-Statewide		\$56.46	\$70.09	\$83.72	X X X X X X X D Y
Apprentice Rates:						
	31-36 months		\$62.01	\$80.44	\$98.88	
	25-30 months		\$60.08	\$77.54	\$95.01	
	19-24 months		\$58.13	\$74.62	\$91.13	
	13-18 months		\$56.19	\$71.72	\$87.24	
	7-12 months		\$54.25	\$68.81	\$83.36	
	0-6 months		\$48.21	\$59.76	\$71.29	
Apprentice Rates:						
	31-36 months		\$62.01	\$80.44	\$98.88	
	25-30 months		\$60.08	\$77.54	\$95.01	
	19-24 months		\$58.13	\$74.62	\$91.13	
	13-18 months		\$56.19	\$71.72	\$87.24	
	7-12 months		\$54.25	\$68.81	\$83.36	
	0-6 months		\$48.21	\$59.76	\$71.29	
Apprentice Rates:						
	31-36 months		\$62.01	\$80.44	\$98.88	
	25-30 months		\$60.08	\$77.54	\$95.01	
	19-24 months		\$58.13	\$74.62	\$91.13	
	13-18 months		\$56.19	\$71.72	\$87.24	
	7-12 months		\$54.25	\$68.81	\$83.36	
	0-6 months		\$48.21	\$59.76	\$71.29	

General Request #: 544
 Requestor:
 Project Description:
 Project Number:
 County: Statewide

GENERAL INFORMATION

Date Rendered: 2/22/2024

Commercial Prevailing Wage Rates

GENERAL INFORMATION

Classification Name Description		Straight Hourly	Time and a Half	Double Time	Overtime Provision
Apprentice Rates:					
	31-36 months	\$62.01	\$80.44	\$98.88	
	25-30 months	\$60.08	\$77.54	\$95.01	
	19-24 months	\$58.13	\$74.62	\$91.13	
	13-18 months	\$56.19	\$71.72	\$87.24	
	7-12 months	\$54.25	\$68.81	\$83.36	
	0-6 months	\$48.21	\$59.76	\$71.29	
Operating Engineer - Marine Construction					
Diver/Wet Tender/Tender/Rov Pilot/Rov Tender	GLF D	\$52.81	\$78.57	\$104.32	H H H H H H D N
Diver/Wet Tender, Engineer (hydraulic dredge)	GLF-1	\$78.97	\$102.47	\$125.97	X X H H H H D Y
<u>Subdivision of county</u>	all Great Lakes, islands therein, & connecting & tributary waters				
Crane/Backhoe Operator, 70 ton or over Tug Operator, Mechanic/Welder, Assistant Engineer (hydraulic dredge), Leverman (hydraulic dredge), Diver Tender	GLF-2	\$77.47	\$100.22	\$122.97	X X H H H H D Y
<u>Subdivision of county</u>	All Great Lakes, islands therein, & connecting & tributary waters				
Friction, Lattice Boom or Crane License Certification30	GLF-2B	\$78.97	\$102.47	\$125.97	X X H H H H D Y
<u>Subdivision of county</u>	All Great Lakes, islands, therein, & connecting & tributary waters				
Deck Equipment Operator, Machineryman, Maintenance of Crane (over 50 ton capacity) or Backhoe (115,000 lbs or more), Tug/Launch Operator, Loader, Dozer on Barge, Deck Machinery	GLF-3	\$72.92	\$93.40	\$113.87	X X H H H H D Y
<u>Subdivision of county</u>	All Great Lakes, islands therein, & connecting & tributary waters				
Deck Equipment Operator, (Machineryman/Fireman), (4 equipment units or more), Off Road Trucks, Deck Hand, Tug Engineer, & Crane Maintenance 50 ton capacity and under or Backhoe 115,000 lbs or less, Assistant Tug Operator	GLF-4	\$66.72	\$84.10	\$101.47	X X H H H H D Y
<u>Subdivision of county</u>	All Great Lakes, islands therein, & connecting & tributary waters				
Operating Engineer Steel Work					
Extended boom forklift over 5,000 lb capacity, 1 Drum Hoist	EN-324-ef	\$69.61	\$88.88	\$108.15	H H D H H H D Y
Crane w/ 120' boom or longer	EN-324-SW120	\$74.14	\$95.24	\$116.33	H H D H H H D Y
Crane w/ 120' boom or longer w/ Oiler	EN-324-SW120-O	\$75.01	\$96.54	\$118.07	H H D H H H D Y
Crane w/ 140' boom or longer	EN-324-SW140	\$75.19	\$96.80	\$118.41	H H D H H H D Y

General Request #: 544
 Requestor:
 Project Description:
 Project Number:
 County: Ingham

GENERAL INFORMATION

Date Rendered: 2/22/2024

Commercial Prevailing Wage Rates

GENERAL INFORMATION

Page 23 of 29

<u>Classification</u>			Straight	Time and	Double	Overtime Provision
Name	Description		Hourly	a Half	Time	
Crane w/ 140' boom or longer W/ Oiler		EN-324-SW140-O	\$76.19	\$98.24	\$120.28	H H D H H H D D Y
Boom & Jib 220' or longer		EN-324-SW220	\$76.46	\$98.62	\$120.78	H H D H H H D D Y
Crane w/ 220' boom or longer w/ Oiler		EN-324-SW220-O	\$74.01	\$95.11	\$116.20	H H D H H H D D Y
Boom & Jib 300' or longer		EN-324-SW300	\$76.96	\$99.34	\$121.72	H H D H H H D D Y
Crane w/ 300' boom or longer w/ Oiler		EN-324-SW300-O	\$77.96	\$100.78	\$123.59	H H D H H H D D Y
Boom & Jib 400' or longer		EN-324-SW400	\$78.46	\$101.49	\$124.52	H H D H H H D D Y
Crane w/ 400' boom or longer w/ Oiler		EN-324-SW400-O	\$79.46	\$102.93	\$126.39	H H D H H H D D Y
Crane Operator, Job Mechanic, 3 Drum Hoist & Excavator		EN-324-SWCO	\$73.65	\$94.59	\$115.53	H H D H H H D D Y
Apprentice Rates:						
	0-999 hours		\$59.16	\$76.02	\$92.88	
	1,000-1,999 hours		\$61.56	\$79.63	\$97.68	
	2,000-2,999 hours		\$63.96	\$83.22	\$102.48	
	3,000-3,999 hours		\$66.38	\$84.18	\$101.98	
	4,000-4,999 hours		\$68.78	\$90.46	\$112.12	
	5,000 hours		\$71.20	\$91.09	\$110.99	
Crane Operator w/ Oiler		EN-324-SWCO-O	\$74.65	\$96.03	\$117.40	H H D H H H D D Y
Compressor or Welder Operator		EN-324-SWCW	\$37.03	\$49.48	\$61.92	H H D H H H D D Y
Hoisting Operator, 2 Drum Hoist, & Rubber Tire Backhoe		EN-324-SWHO	\$73.01	\$93.67	\$114.33	H H D H H H D D Y
Oiler		EN-324-SWO	\$53.42	\$67.61	\$81.80	H H D H H H D D Y
Tower Crane & Derrick where work is 50' or more		EN-324-SWTD50	\$74.74	\$96.16	\$117.57	H H D H H H D D Y
Tower Crane & Derrick 50' or more w/ Oiler		EN-324-SWTD50-O	\$75.84	\$97.69	\$119.54	H H D H H H D D Y

General Request #: 544
 Requestor:
 Project Description:
 Project Number:
 County: Ingham

GENERAL INFORMATION

Date Rendered: 2/22/2024

Commercial Prevailing Wage Rates

GENERAL INFORMATION

<u>Classification</u>			Straight	Time and	Double	Overtime Provision
Name	Description		Hourly	a Half	Time	
Operating Engineer Underground						
Class I Equipment	EN-324A1-UC1		\$66.39	\$84.19	\$101.98	X X X X X X X D Y
Apprentice Rates:						
	0-999 hours		\$52.76	\$67.08	\$81.41	
	1,000-1,999 hours		\$54.80	\$70.14	\$85.49	
	2,000-2,999 hours		\$56.85	\$73.22	\$89.59	
	3,000-3,999 hours		\$58.90	\$76.30	\$93.69	
	4,000-4,999 hours		\$60.94	\$79.35	\$97.77	
	5,000-5,999 hours		\$62.99	\$82.43	\$101.87	
Class I Equipment - Backfiller Tamper, Backhoe, Batch Plant Operator, Clamshell, Concrete Paver 2 drums or larger, Conveyor Loader Euclid type, Crane (crawler, truck type or pile driving), Dozer, Dragline, Elevating Grader, endloader, gradall, grader, hyd	EN-324A2-UC1		\$65.17	\$82.61	\$100.05	X X X X X X X D Y
Apprentice Rates:						
	0-999 hours		\$49.19	\$61.74	\$74.29	
	1,000-1,999 hours		\$50.99	\$64.44	\$77.89	
	2,000-2,999 hours		\$52.78	\$67.12	\$81.47	
	3,000-3,999 hours		\$54.58	\$69.82	\$85.07	
	4,000-4,999 hours		\$56.37	\$72.51	\$88.65	
	5,000-5,999 hours		\$58.16	\$75.19	\$92.23	
Class II Equipment - Boom Truck, Crusher, Hoist, Pump 6 inch discharge or larger, side boom tractor, Tractor (pneu-tired other than backhoe or front end loader), Trencher 8 ft. digging capacity and smaller, Vac Truck	EN-324A2-UC2		\$60.42	\$75.80	\$91.17	X X X X X X X D Y
Class III Equipment - Air Compressors 600 cfm or larger, Air Compressors 2 or more less than 600 dfm, Boom Truck non-swinging non-powered type boom, Concrete Breaker self-propelled or truck mounted, Concrete paver 1 drum 1/2 yd. or larger, Elevator other	EN-324A2-UC3		\$59.59	\$74.61	\$89.62	X X X X X X X D Y
Class IV Equipment - Boiler, Concrete Saw 40 hp or over, curing machine self propelled, end dumps, extend a boom forklift, farm tractor with attachment, finishing machine concrete, firemen, hydraulic pipe pushing machine, mulching equipment, oiler, pumps	EN-324A2-UC4		\$58.93	\$73.66	\$88.38	X X X X X X X D Y

General Request #: 544
 Requestor:
 Project Description:
 Project Number:
 County: Ingham

GENERAL INFORMATION

Date Rendered: 2/22/2024

Commercial Prevailing Wage Rates

GENERAL INFORMATION

Page 25 of 29

<u>Classification</u>			Straight	Time and	Double	Overtime Provision
Name	Description		Hourly	a Half	Time	
Painter						
Painter	A 4-10s workweek allowed Monday-Thursday.	PT-845-BR	\$40.09	\$52.29	\$64.49	H H H H H H H D Y
Apprentice Rates:						
	1st level		\$27.89	\$33.99	\$40.09	
	2nd level		\$30.33	\$37.65	\$44.97	
	3rd level		\$33.99	\$43.14	\$52.29	
	4th level		\$37.65	\$48.63	\$59.61	
Pipe and Manhole Rehab						
	General Laborer for rehab work or normal cleaning and cctv work-top man, scaffold man, CCTV assistant, jetter-vac assistant	TM247	\$28.20	\$38.20	\$48.19	H H H H H H H H N
	Tap cutter/CCTV Tech/Grout Equipment Operator: unit driver and operator of CCTV; grouting equipment and tap cutting equipment	TM247-2	\$32.70	\$44.95	\$57.19	H H H H H H H H N
	CCTV Technician/Combo Unit Operator: unit driver and operator of cctv unit or combo unit in connection with normal cleaning and televising work	TM247-3	\$31.45	\$43.07	\$54.69	H H H H H H H H N
	Boiler Operator: unit driver and operator of steam/water heater units and all ancillary equipment associated	TM247-4	\$33.20	\$45.70	\$58.19	H H H H H H H H N
	Combo Unit driver & Jetter-Vac Operator	TM247-5	\$33.20	\$45.70	\$58.19	H H H H H H H H N
	Pipe Bursting & Slip-lining Equipment Operator	TM247-6	\$34.20	\$47.20	\$60.19	H H H H H H H H N
Plasterer						
Plasterer		CE514-P-L	\$45.00	\$59.93	\$74.85	H H H H H H H D N
Apprentice Rates:						
	1st Year		\$34.55	\$44.25	\$53.95	
	2nd Year		\$37.54	\$48.73	\$59.93	
	3rd Year		\$40.52	\$53.21	\$65.89	

General Request #: 544
 Requestor:
 Project Description:
 Project Number:
 County: Ingham

GENERAL INFORMATION
 Date Rendered: 2/22/2024

Commercial Prevailing Wage Rates

GENERAL INFORMATION

<u>Classification</u>			Straight	Time and	Double	Overtime Provision
Name	Description		Hourly	a Half	Time	
Plumber & Pipefitter						
Plumber, Pipefitter and HVACTech	Four 10s allowed Monday thru Thursday. Friday not a makeup, considered OT, paid @ time & one-half.	PL-333-RI	\$63.77	\$95.66	\$127.54	H H H H H H D Y
Apprentice Rates:						
	1st 6 months		\$41.61	\$62.42	\$83.22	
	2nd 6 months		\$43.62	\$65.43	\$87.24	
	3rd 6 months		\$45.64	\$68.46	\$91.28	
	4th 6 months		\$47.65	\$71.48	\$95.30	
	5th 6 months		\$49.67	\$74.50	\$99.34	
	6th 6 months		\$51.68	\$77.52	\$103.36	
	7th 6 months		\$53.70	\$80.55	\$107.40	
	8th 6 months		\$55.71	\$83.56	\$111.42	
	9th 6 months		\$57.73	\$86.60	\$115.46	
	10th 6 months		\$59.74	\$89.61	\$119.48	
Roofer						
Commercial Roofer	4 consecutive tens allowed M-TH5 consecutive nine hour days M-F also allowed, time over forty hours per/week shall be at OT. Sat makeup day	RO-70-Z2	\$48.36	\$63.20	\$78.04	H X X X X X D Y x
Apprentice Rates:						
	1st Class		\$32.77	\$40.27	\$47.77	
	2nd Class		\$34.88	\$43.38	\$51.88	
	3rd Class		\$36.77	\$46.19	\$55.60	
	4th Class		\$38.90	\$49.36	\$59.81	
	5th Class		\$41.05	\$52.53	\$64.00	
	6th Class		\$43.15	\$55.62	\$68.09	
Sewer Relining						
Class I-Operator of audio visual CCTV system including remote in-ground cutter and other equipment used in conjunction with CCTV system.		SR-I	\$52.84	\$69.23	\$85.62	H H H H H H D N
Apprentice Rates:						
	0-6 months		\$41.58	\$54.66	\$67.74	
	6-12 months		\$45.31	\$60.26	\$75.20	

General Request #: 544
 Requestor:
 Project Description:
 Project Number:
 County: Statewide

GENERAL INFORMATION
 Date Rendered: 2/22/2024

Commercial Prevailing Wage Rates

GENERAL INFORMATION

Page 27 of 29

<u>Classification</u>						
Name	Description		Straight Hourly	Time and a Half	Double Time	Overtime Provision

Class II-Operator of hot water heaters and circulation system; water jettors; and vacuum and mechanical debris removal systems and those assisting.	SR-II		\$50.80	\$68.49	\$86.18	H H H H H H H D N
Sheet Metal Worker						
Sheet Metal Worker	4 10s allowed as consecutive days, M-Th or T-F	SHM-7-1	\$56.87	\$75.25	\$93.62	H H H H D D D D Y
Apprentice Rates:						
First Year			\$30.01	\$39.20	\$48.39	
Second Year			\$36.34	\$47.37	\$58.39	
Third Year			\$45.84	\$58.70	\$71.56	
Fourth Year			\$49.52	\$64.22	\$78.92	
Sprinkler Fitter						
Sprinkler Fitter		SP 669	\$60.34	\$78.45	\$96.56	H H H H H H H D Y
Apprentice Rates:						
Class 1			\$24.57	\$32.72	\$40.87	
Class 2			\$26.38	\$35.43	\$44.49	
Class 3			\$39.14	\$49.10	\$59.06	
Class 4			\$40.95	\$51.82	\$62.68	
Class 5			\$43.01	\$54.78	\$66.55	
Class 6			\$44.82	\$57.49	\$70.17	
Class 7			\$46.63	\$60.21	\$73.79	
Class 8			\$48.45	\$62.94	\$77.43	
Class 9			\$50.26	\$65.65	\$81.05	
Class 10			\$52.07	\$68.37	\$84.67	

General Request #: 544
 Requestor:
 Project Description:
 Project Number:
 County: Ingham

GENERAL INFORMATION
 Date Rendered: 2/22/2024

Commercial Prevailing Wage Rates

GENERAL INFORMATION

<u>Classification</u>		Straight Hourly	Time and a Half	Double Time	Overtime Provision
Name	Description				
Tile, Terrazzo and Mosaic Finisher					
Tile, Terrazzo and Mosaic Finisher	BR2-TF	\$42.34	\$54.17	\$65.99	H H H H H H D N
Apprentice Rates:					
	1st Period	\$35.25	\$43.53	\$51.81	
	2nd Period	\$36.43	\$45.30	\$54.17	
	3rd Period	\$37.61	\$47.07	\$56.53	
	4th Period	\$38.79	\$48.84	\$58.89	
	5th Period	\$39.97	\$50.61	\$61.25	
	6th Period	\$41.16	\$52.39	\$63.63	
Tile, Terrazzo and Mosaic Setters					
Tile, Terrazzo and Mosaic Setters	BR2-Tile	\$48.48	\$62.11	\$75.73	H H H H H H D N
Apprentice Rates:					
	1st Period	\$40.31	\$49.85	\$59.39	
	2nd Period	\$41.67	\$51.89	\$62.11	
	3rd Period	\$43.03	\$53.93	\$64.83	
	4th Period	\$44.39	\$55.97	\$67.55	
	5th Period	\$45.75	\$58.01	\$70.27	
	6th Period	\$47.12	\$60.07	\$73.01	
Tower Technician					
	IBEW 876 & IBEW 17 - Roadway	\$67.89	\$98.24	\$128.58	H H H H H H D Y
Truck Driver					
of all trucks of 8 cubic yd capacity or over	TM-RB2	\$44.10	\$48.81	\$49.80	H H H H H H H Y
of all trucks of 8 cubic yard capacity or less (except dump trucks of 8 cubic yard capacity or over, tandem axle trucks, transit mix and semis, euclid type equipment, double bottoms and low boys)	TM-RB2A	\$44.00	\$48.66	\$49.60	H H H H H H H Y
on euclid type equipment	TM-RB2B	\$44.25	\$49.04		H H H H H H H Y

General Request #: 544
 Requestor:
 Project Description:
 Project Number:
 County: Ingham

GENERAL INFORMATION
 Date Rendered: 2/22/2024

Commercial Prevailing Wage Rates

GENERAL INFORMATION

Page 29 of 29

<u>Classification</u>			Straight	Time and	Double	
Name	Description		Hourly	a Half	Time	Overtime Provision
<hr/>						
Truck Driver / Groundman (less than a yr)						
		IBEW 876 & IBEW 17 - Teledata	\$30.78	\$41.29	\$51.79	H H H X X X X D Y
Apprentice Rates:						
	Lineman (6th - 6 months)		\$35.61	\$49.90	\$64.18	
	Lineman (5th - 6 months)		\$33.06	\$46.07	\$59.08	
	Lineman (4th - 6 months)		\$30.53	\$42.27	\$54.02	
	Lineman (3rd - 6 months)		\$27.99	\$38.47	\$48.94	
	Lineman (2nd - 6 months)		\$25.45	\$34.66	\$43.86	
	Lineman (1st - 6 months)		\$22.91	\$30.85	\$38.78	
Truck Driver / Groundman (over 1 yr)						
		IBEW 876 & IBEW 17 - Teledata	\$37.40	\$50.84	\$64.27	H H H X X X X D Y
Apprentice Rates:						
	Lineman (6th - 6 months)		\$35.61	\$49.90	\$64.18	
	Lineman (5th - 6 months)		\$33.06	\$46.07	\$59.08	
	Lineman (4th - 6 months)		\$30.53	\$42.27	\$54.02	
	Lineman (3rd - 6 months)		\$27.99	\$38.47	\$48.94	
	Lineman (2nd - 6 months)		\$25.45	\$34.66	\$43.86	
	Lineman (1st - 6 months)		\$22.91	\$30.85	\$38.78	
TV Terminator - Tech II						
		IBEW 876 & IBEW 17 - Teledata	\$38.78	\$52.83	\$66.87	H H H X X X X D Y
Apprentice Rates:						
	Lineman (6th - 6 months)		\$35.61	\$49.90	\$64.18	
	Lineman (5th - 6 months)		\$33.06	\$46.07	\$59.08	
	Lineman (4th - 6 months)		\$30.53	\$42.27	\$54.02	
	Lineman (3rd - 6 months)		\$27.99	\$38.47	\$48.94	
	Lineman (2nd - 6 months)		\$25.45	\$34.66	\$43.86	
	Lineman (1st - 6 months)		\$22.91	\$30.85	\$38.78	

General Request #: 544
 Requestor:
 Project Description:
 Project Number:
 County: Statewide

GENERAL INFORMATION
 Date Rendered: 2/22/2024



STATE OF MICHIGAN

Wage and Hour Division
PO Box 30476
Lansing, MI 48909
517-284-7800

Informational Sheet: Prevailing Wages on State Funded Projects

REQUIREMENTS

Effective February 13, 2024

The purpose of establishing prevailing rates is to provide minimum rates of pay that must be paid to workers on construction projects that are financed or financially supported by the state. Prevailing rates compiled from the rates contained in collectively bargained agreements which cover the locations of the state projects. While the prevailing wage rates are compiled through surveys of collectively bargained agreements, a collective bargaining agreement is not required for contractors to be on or be awarded state projects. The prevailing rate schedule provides an hourly rate which includes wage and fringe benefit totals for designated construction mechanic classifications. The overtime rates also include wage and fringe benefit totals. Please pay special attention to the overtime and premium pay requirements. The prevailing wage is satisfied when wages plus fringe benefits are equal to or greater than the required rate.

State of Michigan responsibilities:

- The department establishes the prevailing rate for each classification of construction mechanic requested by the contracting agents prior to contracts being let out for bid on a state project.

DTMB responsibilities

- If a contract is not awarded or construction does not start within 90 days of the date of the issuance of rates, a re-determination of rates must be requested by the contracting agents.
- Rates for classifications needed but not provided on the Prevailing Rate Schedule, **must** be obtained **prior** to contracts being let out for bid on a state project.

Contractor responsibilities:

- Every contractor and subcontractor shall keep posted on the construction site, in a conspicuous place, a copy of all prevailing rates prescribed in a contract.
- Every contractor and subcontractor shall keep an accurate record showing the name and occupation of and the actual wages and benefits paid to each construction mechanic. This record shall be available for reasonable inspection by DTMB or the department.
- Each contractor or subcontractor is liable for the payment of the prevailing rate to its employees.
- The prime contractor is responsible for advising all subcontractors of the requirement to pay the prevailing rate prior to commencement of work.
- A construction mechanic *shall only* be paid the apprentice rate if registered with the United States Department of Labor, Bureau of Apprenticeship and Training and the rate is included in the contract.

Enforcement:

A person who has information of an alleged prevailing wage violation on a prevailing wage project may file a complaint with the State of Michigan. The department will investigate and attempt to resolve the complaint informally. During the course of an investigation, if the requested records and posting certification are not made available in compliance with contractual requirements, the Contracting Agent may consider the Contractor to be in material breach of the contract and may terminate the contract for cause at the sole discretion. There are also civil penalties for failure to be in compliance with Act 10. View the entire text of Act 10 of 2023 at michigan.gov/wagehour.



STATE OF MICHIGAN
Informational Sheet: Prevailing Wages on State Projects

General Information Regarding Fringe Benefits

Certain fringe benefits **may** be credited toward the payment of the Prevailing Wage Rate:

- If a fringe benefit is paid directly to a construction mechanic
- If a fringe benefit contribution or payment is made on behalf of a construction mechanic
- If a fringe benefit, which may be provided to a construction mechanic, is pursuant to a written contract or policy
- If a fringe benefit is paid into a fund, for a construction mechanic

When a fringe benefit is not paid by an hourly rate, the hourly credit will be calculated based on the annual value of the fringe benefit divided by 2080 hours per year (52 weeks @ 40 hours per week).

The following is an example of the types of fringe benefits allowed and how an hourly credit is calculated:

Vacation	40 hours X \$14.00 per hour = \$560/2080 =	\$0.27
Dental insurance	\$31.07 monthly premium X 12 mos. = \$372.84 /2080 =	\$.18
Vision insurance	\$5.38 monthly premium X 12 mos. = \$64.56/2080 =	\$.03
Health insurance	\$230.00 monthly premium X 12 mos. = \$2,760.00/2080 =	\$1.33
Life insurance	\$27.04 monthly premium X 12 mos. = \$324.48/2080 =	\$.16
Tuition	\$500.00 annual cost/2080 =	\$.24
Bonus	4 quarterly bonus/year x \$250 = \$1000.00/2080 =	\$.48
401k Employer Contribution	\$2000.00 total annual contribution/2080 =	\$.96
Total Hourly Credit		\$3.65

Other examples of the types of fringe benefits allowed:

- Sick pay
- Holiday pay
- Accidental Death & Dismemberment insurance premiums

The following are examples of items that **will not** be credited toward the payment of the Prevailing Wage Rate

- Legally required payments, such as:
 - Unemployment Insurance payments
 - Workers' Compensation Insurance payments
 - FICA (Social Security contributions, Medicare contributions)
- Reimbursable expenses, such as:
 - Clothing allowance or reimbursement
 - Uniform allowance or reimbursement
 - Gas allowance or reimbursement
 - Travel time or payment
 - Meals or lodging allowance or reimbursement
 - Per diem allowance or payment
- Other payments to or on behalf of a construction mechanic that are not wages or fringe benefits, such as:
 - Industry advancement funds
 - Financial or material loans



STATE OF MICHIGAN
Informational Sheet: Prevailing Wages on State Projects

OVERTIME PROVISIONS for MICHIGAN PREVAILING WAGE RATE COMMERCIAL SCHEDULE

- Overtime is represented as a nine character code. Each character represents a certain period of time after the first 8 hours Monday thru Friday.

	Monday thru Friday	Saturday	Sunday & Holidays	Four 10s
First 8 Hours		4		
9th Hour	1	5	8	9
10th Hour	2	6		
Over 10 hours	3	7		

Overtime for Monday thru Friday after 8 hours:

the 1st character is for time worked in the 9th hour (8.1 - 9 hours)
the 2nd character is for time worked in the 10th hour (9.1 - 10 hours)
the 3rd character is for time worked beyond the 10th hour (10.1 and beyond)

Overtime on Saturday:

the 4th character is for time worked in the first 8 hours on Saturday (0 - 8 hours)
the 5th character is for time worked in the 9th hour on Saturday (8.1 - 9 hours)
the 6th character is for time worked in the 10th hour (9.1 - 10 hours)
the 7th character is for time worked beyond the 10th hour (10.01 and beyond)

Overtime on Sundays & Holidays

The 8th character is for time worked on Sunday or on a holiday

Four Ten Hour Days

The 9th character indicates if an optional 4-day 10-hour per day workweek can be worked **between Monday and Friday without paying overtime after 8 hours worked, unless otherwise noted in the rate schedule. To utilize a 4 ten workweek, notice is required from the employer to employee prior to the start of work on the project.**

- Overtime Indicators Used in the Overtime Provision:

H - means TIME AND ONE-HALF due
X - means TIME AND ONE-HALF due after 40 HOURS worked
D - means DOUBLE PAY due
Y - means YES an optional 4-day 10-hour per day workweek can be worked without paying overtime after 8 hours worked
N - means NO an optional 4-day 10-hour per day workweek *cannot* be worked without paying overtime after 8 hours worked

- EXAMPLES:

HHHHHHHDN - This example shows that the 1½ rate must be used for time worked after 8 hours Monday thru Friday (characters 1 - 3); for all hours worked on Saturday, 1½ rate is due (characters 4 - 7). Work done on Sundays or holidays must be paid double time (character 8). The N (character 9) indicates that 4 ten-hour days is not an acceptable workweek at regular pay.

XXXHHHDY - This example shows that the 1½ rate must be used for time worked after 40 hours are worked Monday thru Friday (characters 1-3); for hours worked on Saturday, 1½ rate is due (characters 4 – 7). Work done on Sundays or holidays must be paid double time (character 8). The Y (character 9) indicates that 4 ten-hour days is an acceptable alternative workweek.



STATE OF MICHIGAN
Informational Sheet: Prevailing Wages on State Projects

ENGINEERS - CLASSES OF EQUIPMENT LIST

UNDERGROUND ENGINEERS

CLASS I

Backfiller Tamper, Backhoe, Batch Plant Operator, Clam-Shell, Concrete Paver (2 drums or larger), Conveyor Loader (Euclid type), Crane (crawler, truck type or pile driving), Dozer, Dragline, Elevating Grader, End Loader, Gradall (and similar type machine), Grader, Power Shovel, Roller (asphalt), Scraper (self propelled or tractor drawn), Side Broom Tractor (type D-4 or larger), Slope Paver, Trencher (over 8' digging capacity), Well Drilling Rig, Mechanic, Slip Form Paver, Hydro Excavator.

CLASS II

Boom Truck (power swing type boom), Crusher, Hoist, Pump (1 or more 6" discharge or larger gas or diesel powered by generator of 300 amps or more, inclusive of generator), Side Boom Tractor (smaller than type D-4 or equivalent), Tractor (pneu-tired, other than backhoe or front end loader), Trencher (8' digging capacity and smaller), Vac Truck.

CLASS III

Air Compressors (600 cfm or larger), Air Compressors (2 or more less than 600 cfm), Boom Truck (non-swinging, non-powered type boom), Concrete Breaker (self-propelled or truck mounted, includes compressor), Concrete Paver (1 drum, ½ yard or larger), Elevator (other than passenger), Maintenance Man, Mechanic Helper, Pump (2 or more 4" up to 6" discharge, gas or diesel powered, excluding submersible pump), Pumpcrete Machine (and similar equipment), Wagon Drill Machine, Welding Machine or Generator (2 or more 300 amp or larger, gas or diesel powered).

CLASS IV

Boiler, Concrete Saw (40HP or over), Curing Machine (self-propelled), Farm Tractor (w/attachment), Finishing Machine (concrete), Firemen, Hydraulic Pipe Pushing Machine, Mulching Equipment, Oiler (2 or more up to 4", exclude submersible), Pumps (2 or more up to 4" discharge if used 3 hrs or more a day-gas or diesel powered, excluding submersible pumps), Roller (other than asphalt), Stump Remover, Vibrating Compaction Equipment (6' wide or over), Trencher (service) Sweeper (Wayne type and similar equipment), Water Wagon, Extend-a-Boom Forklift.

HAZARDOUS WASTE ABATEMENT ENGINEERS

CLASS I

Backhoe, Batch Plant Operator, Clamshell, Concrete Breaker when attached to hoe, Concrete Cleaning Decontamination Machine Operator, Concrete Pump, Concrete Paver, Crusher, Dozer, Elevating Grader, Endloader, Farm Tractor (90 h.p. and higher), Gradall, Grader, Heavy Equipment Robotics Operator, Hydro Excavator, Loader, Pug Mill, Pumpcrete Machines, Pump Trucks, Roller, Scraper (self-propelled or tractor drawn), Side Boom Tractor, Slip Form Paver, Slope Paver, Trencher, Ultra High Pressure Waterjet Cutting Tool System Operator, Vactors, Vacuum Blasting Machine Operator, Vertical Lifting Hoist, Vibrating Compaction Equipment (self-propelled), and Well Drilling Rig.

CLASS II

Air Compressor, Concrete Breaker when not attached to hoe, Elevator, End Dumps, Equipment Decontamination Operator, Farm Tractor (less than 90 h.p.), Forklift, Generator, Heater, Mulcher, Pigs (Portable Reagent Storage Tanks), Power Screens, Pumps (water), Stationary Compressed Air Plant, Sweeper, Water Wagon and Welding Machine.



STATE OF MICHIGAN
Informational Sheet: Prevailing Wages on State Projects

CARPENTER CRAFT JURISDICTION

Michigan recognizes the Carpenters for any and all work related to weatherization that has historically been the work of the Carpenter. This work shall include, but not be limited to: all work defined under the Federal Weatherization Assistance Program.

The jurisdiction of Carpenters, as to all work that has historically and traditionally been performed consisting of the milling, fashioning, joining, assembling, erecting, fastening or dismantling of all materials of wood, plastic, metal, fiber, cork, or composition and all other substitute materials, as well as the handling, cleaning, erecting, installing and dismantling of all machinery, equipment and all materials used by Carpenters.

The jurisdiction, therefore, extends over the following divisions and subdivisions of the trade: Carpenters and Joiners, Millwrights, Pile Drivers, Bridge, Dock and Wharf Carpenters, Underpinners, Timbermen, and Core-drillers, Shipwrights, Boat Builders, Ship-hand, Stair-Builders, Millmen, Wood and Resilient Floor Decorators, Floor Finishers, Carpet-layers, Shinglers, Siders, Insulators, Acoustic and Drywall Applicators, Sharers and House Movers, Loggers, Lumber and Sawmill Workers, Reed and Rattan Workers, Shingle Weavers, Casket and Coffin Makers, Railroad Carpenters and Car Builders, regardless of material used and all those engaged in the operation of woodworking or other machinery required in fashioning, milling or manufacturing of products used in the trade, and the handling, erecting and installing materials on any of the above divisions or sub-divisions, burning, welding and rigging incidental to the trade. When the term "Carpenter and Joiner" is used, it shall mean all the subdivisions of the trade. The trade autonomy of Carpenters therefore extends over the divisions and subdivisions of the trade, which are set forth as follows:

- (a) The framing, erecting and prefabrication of roofs, partitions, floors and other parts of buildings of wood, metal, plastic or other substitutes; application of all metal flashing used for hips, valleys and chimneys; the erection of Stran Steel section or its equal. The building and setting of all forms and centers for brick and masonry. The fabrication and erection of all forms for concrete and decking, the dismantling of same (as per International Agreement) when they are to be re-used on the job or stored for re-use. The cutting and handling of all falsework for fireproofing and slabs. Where power is used in the setting or dismantling of forms, all signaling and handling shall be done by carpenters. The setting of templates for anchor bolts for structural members and for machinery, and the placing, leveling and bracing of these bolts. All framing in connection with the setting or metal columns. The setting of all bulkheads, footing forms and the setting of and fabrication of, screeds and stakes for concrete and mastic floors where the screed is notched or fitted, or made up of more than one member. The making of forms for concrete block, bulkheads, figures, posts, rails, balusters and ornaments, etc.
- (b) The handling and erecting of rough material and drywall, the handling, assembly, setting and leveling of all fixtures, display cases, all furniture such as tables, chairs, desks, coat racks, etc., all de-mountable or moveable partitions such as Von wall, E Wall, Steel Case, Herman Miller, Haworth, American Seating, Westinghouse, Lazy Boy, rosewood, etc. All rebuilding, remodeling and setting up of all kinds of partitions, finished lumber, metal and plastic trim to be erected by Carpenters shall be handled from the truck or vehicle delivering same to the job by Carpenters.



STATE OF MICHIGAN
Informational Sheet: Prevailing Wages on State Projects

CARPENTER CRAFT JURISDICTION

- (c) The building and moving of all scaffolding runways and staging where carpenters' tools are used, the building from the ground up of all scaffolds over fourteen (14) feet in height including metal and specially designed scaffolding. The building and construction of all hoists and derricks made of wood; the making of mortar boards, boxes, trestles, all shoring, razing and moving of buildings. Lift type trucks are to be considered a tool of the trade. Metal siding and metal roofing fall within the scope of jurisdiction for the carpenters.
- (d) The cutting or framing and fireproofing of the openings for pipes, conduits, ducts, etc., where they pass through floors, partitions, walls, roofs or fixtures composed in whole or in part of wood. The laying out of making and installation of all inserts and sleeves for pipes, ducts, etc., where carpenters' tools and knowledge are required. The making and installing of all wooden meter boards, crippling and backing for fixtures. The welding of studs and other fastenings to receive material being applied by carpenters.
- (e) The installation of all grounds, furring or stripping, ceilings and sidewalks, application of all types of shingling and siding, etc.
- (f) The installation of all interior and exterior trim or finish of wood, aluminum, kalamein, hollow or extruded metal, plastic, doors, transoms, thresholds, mullions and windows. The setting of jambs, bucks, window frames of wood or metal where braces or wedges are used. The installation of all wood, metal or other substitutes of casing, molding, chair rail, wainscoting, china closets, base of mop boards, wardrobes, metal partitions as per National Decisions or specific agreements, etc. The complete laying out, fabrication and erection of stairs. The making and erecting of all fixtures, cabinets, shelving, racks, louvers, etc. The mortising and application of all hardware in connection with our work. The sanding and refinishing of all wood, cork or composition floors to be sanded or scraped, filled, sized and buffed, either by hand or power machines. The assembling and setting of all seats in theaters, halls, churches, schools, auditorium, grandstands and other buildings. All bowling alley work.
- (g) The manufacture, fabrication and installation of all screens, storm sash, storm doors and garage doors; the installation of wood, canvas, plastic or metal awnings or eye shades, door shelters, jalousies, etc. The laying of wood, wood block and wood composition in floors.
- (h) The installation of all materials used in drywall construction, such as plasterboard, all types of asbestos boards, transite and other composition board. The application of all material which serves as base for acoustic tile, except plaster. All acoustical applications as per National Agreement or specific agreement.
- (i) The building and dismantling of all barricades, hand rails, guard rails, partitions and temporary partitions. The erection and dismantling of all temporary housing on construction projects.
- (j) The installation of rock wool, cork and other insulation material used for sound or weatherproofing. The removal of caulking and placing of staff bead and brick mold and all Oakum caulking, substitutes, etc., and all caulking in connection with carpentry work.
- (k) The installation of all chalk boards/marker boards.



STATE OF MICHIGAN
Informational Sheet: Prevailing Wages on State Projects

CARPENTER CRAFT JURISDICTION

- (l) The operation of all hand operated winches used to raise wooden structures.
- (m) The erection of porcelain enameled panels and siding.
- (n) The unloading and distribution of all furnished, prefabricated and built-up sections such as door bucks, window frames, cupboards, cabinets, store fixtures, counters and show cases or comparably finished or prefabricated materials, to the job sites or points of installation as used in the construction, alteration and remodeling industry.
- (o) The handling of doors, metal, wood or composite, partitions and other finished bulk materials used for trim from the point of delivery.
- (p) All processing of these materials and handling after processing.
- (q) The making up of panels and fitting them into walls, all bracing and securing, all removal of panels from the casting including all braces, walers, hairpins, etc.
- (r) The handling and setting of all metal pans and sections from the stock piles of reasonable distance as required by job needs shall be performed by carpenters. The stripping of such metal pans, panels or sections is to be performed by carpenters.
- (s) The sharpening of all carpenter hand or power tools, or those used by carpenters.
- (t) The layout, fabrication, assembling of and erection and dismantling of all displays made of wood, metal, plastic, composition board or any substitute material; the covering of same with any type of material, the crating and un-crating, the handling from the point of unloading and back to the point of loading of all displays and other materials or components.
- (u) The same shall apply to all other necessary component parts used for display purposes such as turntables, platforms, identification towers and fixtures, regardless of how constructed, assembled or erected or dismantled.
- (v) The make-up, handling, cutting and sewing of all materials used in buntings, flags, banners, decorative paper, fabrics and similar materials used in the display decorative industry for draperies and back drops. The decorative framing of trucks, trailers and autos used as floats or moving displays. The slatting of walls to hand fabrics and other decorative materials, drilling of all holes to accommodate such installations. Setting up and removal of booths constructed of steel or aluminum tubing as stanchions, railings, etc., handling and placing of furniture, appliances, etc., which are being used to complete the booth at the request of the exhibitor. Fabricating and application of leather, plastic and other like materials used for covering of booths. The handling of all materials, fabricating of same. The loading and unloading, erecting and assembling at the exhibit of show area, also in or out of storage when used in booth decorations.



STATE OF MICHIGAN
Informational Sheet: Prevailing Wages on State Projects

CARPENTER CRAFT JURISDICTION

- (w) A display shall be construed as any exhibit or medium of advertising, open to private or public showing, which is constructed of wood, metal, plastic or any other substitute to accomplish the objectives of advertising or displaying.
- (x) Handling, fitting, draping, measuring and installation of fixtures and other hardwares for draperies, all manner of making, measuring, repairing, sizing, hanging and installation of necessary fixtures and hardware for shades and Venetian blinds.
- (y) Work consisting of cutting and/or forming of all materials in preparation for installing of floors, walls and ceilings; the installation of all resilient floor and base; wall and ceiling materials to include cork, linoleum, prefabricated, laminated, rubber, asphalt, vinyl, metal, plastic, seamless floors and all other similar materials in sheet, interlocking liquid or tile form; the installation of all artificial turf, the installation, cutting and/or fitting of carpets; installation of padding, matting, linen crash and all preformed resilient floor coverings; the fitting of all devices for the attachment of carpet and other floor, wall and ceiling coverings; track sewing of carpets, drilling of holes for sockets and pins, putting in dowels and slats; and all metal trimmings used; the installation of all underlayments, sealants in preparation of floors, walls and ceilings, the unloading and handling of all materials to be installed and the removal of all materials in preparing floors when contracted for by the employer, shall be done only by employees covered under this Agreement.
- (z) The installation of all sink-tops and cabinets, to include all metal trim and covering for same. All cork, linoleum, congo-wall, linewall, veos tile, plexiglass, vinawall tile, composition tile, plastic tile, aluminum tile and rubber in sheets or tile form and the application thereof. All bolta-wall and bolta-wall tile and similar products.
- (aa) The handling and placing of all pictures and frames and the assembly of bed frames and accessories. The hanging and placing of all signage.
- (bb) The installation of all framework partitions and trim materials for toilets and bathrooms made of wood, metal, plastics or composition materials; fastening of all wooden, plastic or composition cleats to iron or any other material for accessories.
- (cc) The erection of cooling towers and tanks.
- (dd) The setting, lining, leveling and bracing of all embedded plates, rails and angles. The setting of all stay in place forms.
- (ee) Environmental: Clean room, any type of environmental chamber, walk in refrigerated coolers and all refrigerated rooms or buildings.



STATE OF MICHIGAN
Informational Sheet: Prevailing Wages on State Projects

CARPENTER CRAFT JURISDICTION

PILE DRIVING AND CAISSON DRILLING

(ff) All unloading, handling, signaling and driving of piles, whether wood, steel, pipe, beam pile, composite, concrete or molded in place, wood and steel sheeting, cofferdam work, trestle work, dock work, floating derricks, caisson work, foundation work, bridge work, whether old or new, crib work, pipe line work and submarine work. Cutting of all wood, steel or concrete pile, whether by machine or hand; welding and cutting, peeling, and heading of all wood pile, steel sheeting and wood sheeting. The erecting and dismantling of all pile driving rigs, also derricks whether on land or water; also the moving, shoring and underpinning of all buildings. The loading and unloading of all derricks, cranes and pile driving materials. The tending, maintenance and operation of all valves pertaining to the operation of driving of pile. All diving and tending essential to the completion of jurisdictional claims.

All work done in the established yards of the Company and all work not enumerated above, shall be handled and manned as the Employer decides.

The pile driver will unload all material shipped in by rail from the point that the rail car is spotted.

All cleaning and preparation of all piling prior to driving.

The welding and attachment of all boot plates, pile points, splice plates, connectors, rock crosses, driving crosses, driving rigs, point reinforcements and overboots.

The construction, reconstruction, repair, alteration, demolition and partial or complete removal of all marine work including, but not limited to, docks, piers, wharves, quays, jetties, cribs, causeways, breakwaters, lighthouses and permanent buoys, etc. (mixing and placing of concrete excepted).

The driving and pulling of all wood, steel and concrete foundation piles and sheet piling.

The heading, pointing, splicing, cutting and welding of all piles.

The placing of all wales, bolts, studs, lagging, rods and washers including the cutting, drilling, boring or breaking of all holes or openings thereof.

The removal of all materials and/or obstructions of any nature (rip-rap included) that retard or interfere with the driving of piles or with the placing of wales, bolts and rods.



STATE OF MICHIGAN
Informational Sheet: Prevailing Wages on State Projects

CARPENTER CRAFT JURISDICTION

This is to be subject to the discretion of the contractor who may choose to use blasting specialists or other demolition specialists.

The handling on the job of all materials used in the work.

The manning of all floating equipment (towing equipment excepted) engaged in the work enumerated, including deck engines, except machinery manned by Operating Engineers.

The placing of all rip-rap, fill stone, bedding stone, cover stone and concrete blocks in connection with marine construction. Work normally performed by Employers, such as soil tests, shoring, underpinning of buildings, cribbing, driving of sheet piling, marine divers, tenders, underwater construction workers and similar operations shall continue to be included in the jurisdiction of this Agreement.

All burning, cutting, welding and fabrication of pipe, H-beams, sheet pile (metal or wood), done on the job site or in the yard of the Employer shall be done by pile drivers. The driving of bearing piles, sheet piling with heavy equipment, caissons, pile caps, auger drilling and boring, the setting up for load testing for any type of piling, all layout and spotting for piling, caisson and boring work, all earth retention, ditch boarding, installing tiebacks.

ASBESTOS ABATEMENT CARPENTERS

(gg) All erection and maintenance of barriers and partitions used in the removing of asbestos or any abatement work. The abatement of any materials previously installed by the carpenter such as transite, ceiling and floor tiles. All operating and maintaining of current equipment used in any abatement work.



STATE OF MICHIGAN
Informational Sheet: Prevailing Wages on State Projects

ELECTRICIAN – SOUND AND COMMUNICATION / DATA/ VOICE JURISDICTION

The installation, testing, service and maintenance, of systems which utilize the transmission and/or transference of voice, sound, vision or digital for commercial, education, security and entertainment purposes for the following: TV monitoring and surveillance, CATV and CCTV, background-foreground music, intercom and telephone interconnect, inventory control systems, microwave transmission, multi-media, multiplex, radio page, school intercom and sound, burglar alarms, low voltage fire alarm systems, low voltage master clock systems, distributed antenna systems (DAS), IP data networks, and all surface-mounted (non-power) telecommunications wiremold. Shall additionally include the installation of all raceway systems of unlimited length in telecommunications rooms, entrance facilities, equipment rooms, and similar areas. Energy management systems. Security systems; perimeter, vibration, card access, access control and sonar/infrared monitoring equipment. Communications systems that transmit or receive information and/or control systems that are intrinsic to the above listed systems; SCADA (Supervisory Control and Data Acquisition), PCM (Pulse Code Modulation), Digital Data Systems, Broadband and Baseband and Carriers, POS (Point of Sale systems), VSAT Data Systems, RF and Remote Control Systems, Fiber Optic Data Systems and Voice and Data Infrastructure and Backbone.