

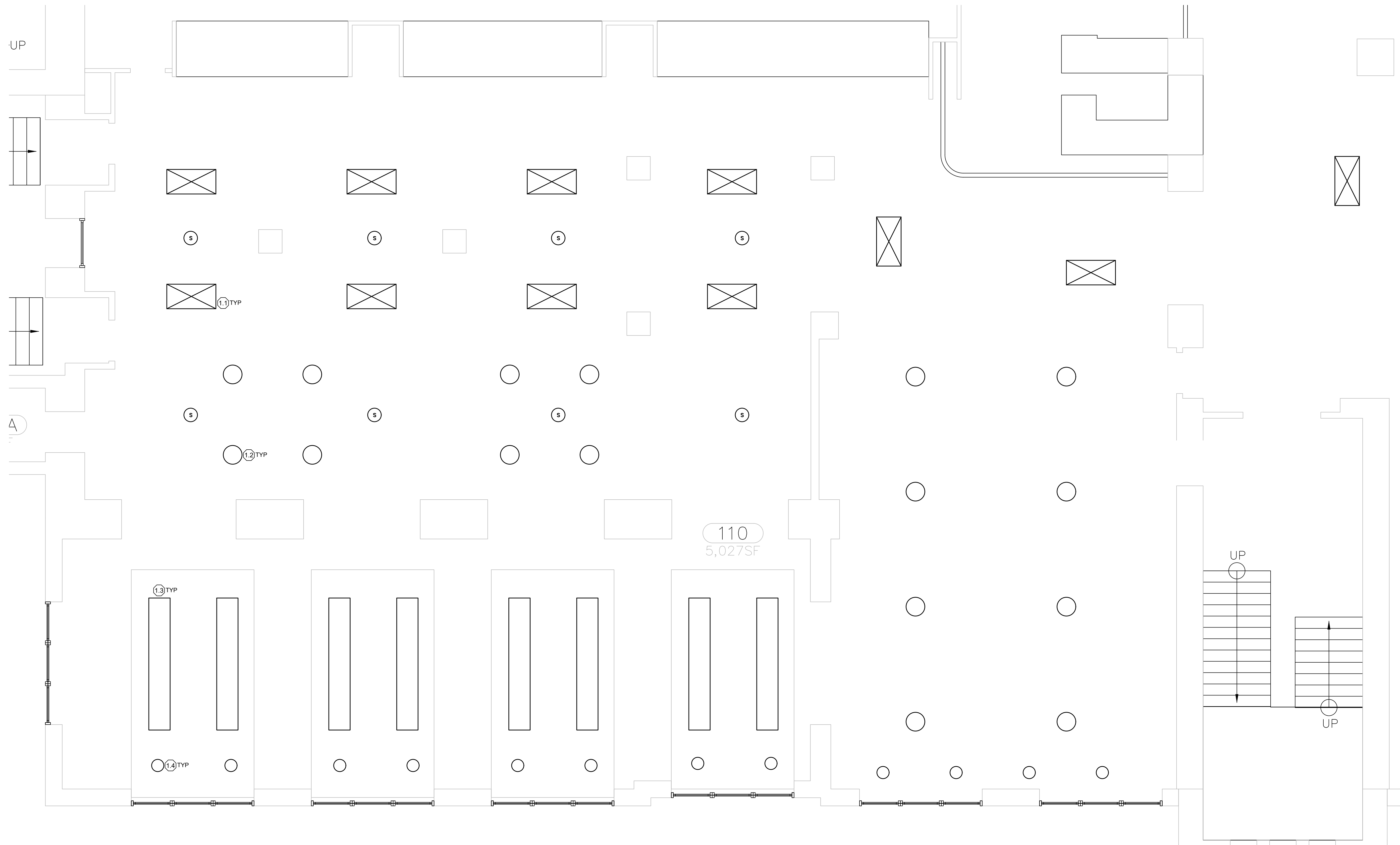
UNION BUILDING
ALTERATIONS TO ROOM 110

MSU PROJ. NO.
PR226584

PR. MGR. _____
ARCH. _____
MECH. _____
ELEC. HOWARD
CIVIL _____
L.A. _____
INT. DES. _____
CONST. REP. _____
APPR. _____
DATE 12/13/2023
SCALE AS NOTED
ISSUED _____
FOR PRICING _____

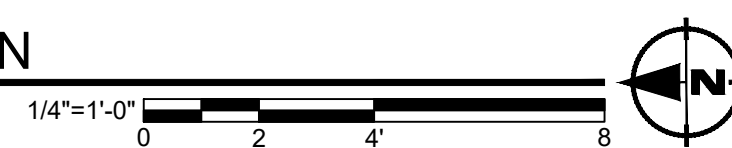
ELECTRICAL
DEMOLITION PLANS

E-1



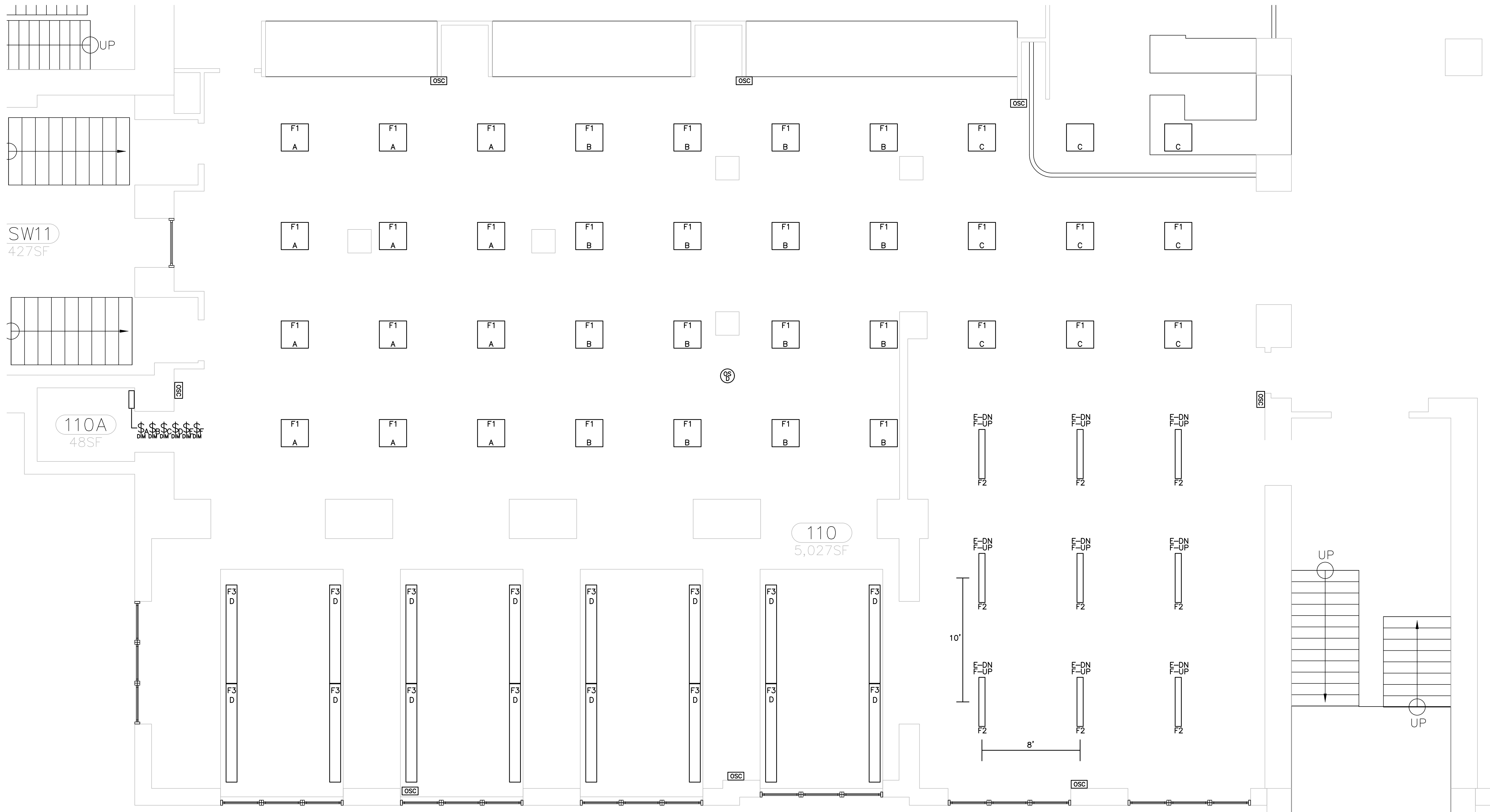
LIGHTING DEMOLITION PLAN

SCALE: 1/4" = 1'-0"



ELECTRICAL DEMOLITION PLAN NOTES:

- ① REMOVE LIGHTING FIXTURES AND SWITCHING. LIGHTING CIRCUITS TO BE RE-USED.
 - 1.1. 2'X4' LIGHTING FIXTURES
 - 1.2. CAN DOWNLIGHTS
 - 1.3. RECESSED COVE LIGHTING FIXTURES
 - 1.4. PENDANT LIGHTING FIXTURES
- ② BY MSU I.T. SERVICES: REMOVE CEILING SPEAKERS AND CONDUIT/WIRING.



LIGHTING PLAN

SCALE: 1/4" = 1'-0"

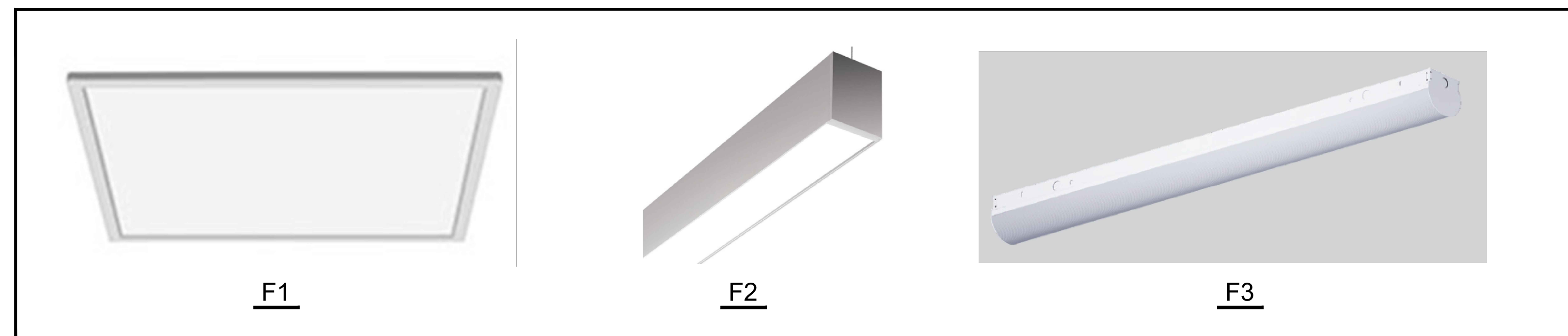


LIGHTING CONTROLS SEQUENCE OF OPERATION

ROOM 110
1. MANUAL ON/AUTO OFF OPERATION FOR ALL LIGHTING ZONES WITH DIMMING.
2. 50% AUTO ON/AUTO OFF EXCEPTION FOR LIGHTING ZONE C.

LIGHTING FIXTURE SCHEDULE

F1: LED FLAT PANEL: LITHONIA EPANL-2X2-3400LM-80CRI-4000K-MIN10-ZT-MVOLT OR MSU EQUAL. GRID MOUNT 2'X2' LED, 3400 LUMEN, 3500K, 80CRI, 0-10V DIM, 38W, WHITE.
F2: DIRECT/INDIRECT: LITE-CONTROL 4L-P-ID-STD-4-SOF-C1-35-1C-UNV-FA1-L1. CABLE MOUNT, 4" X4', LED, XX LUMEN, 3500K, 80CRI, 0-10V DIM, 40W, WHITE.
F3: COVE LIGHT: ORACLE LIGHTING 8-OC1-LED-6000L-DIM10-MVOLT-35K-85-V3-CRM. SURFACE MOUNT, 3"X8', LED, 6000 LUMEN, 3500K, 0-10V DIM, 40W, WHITE.
EMG: LITHONIA ELMC



PROPOSED LIGHTING FIXTURES

LIGHTING PLAN NOTES:

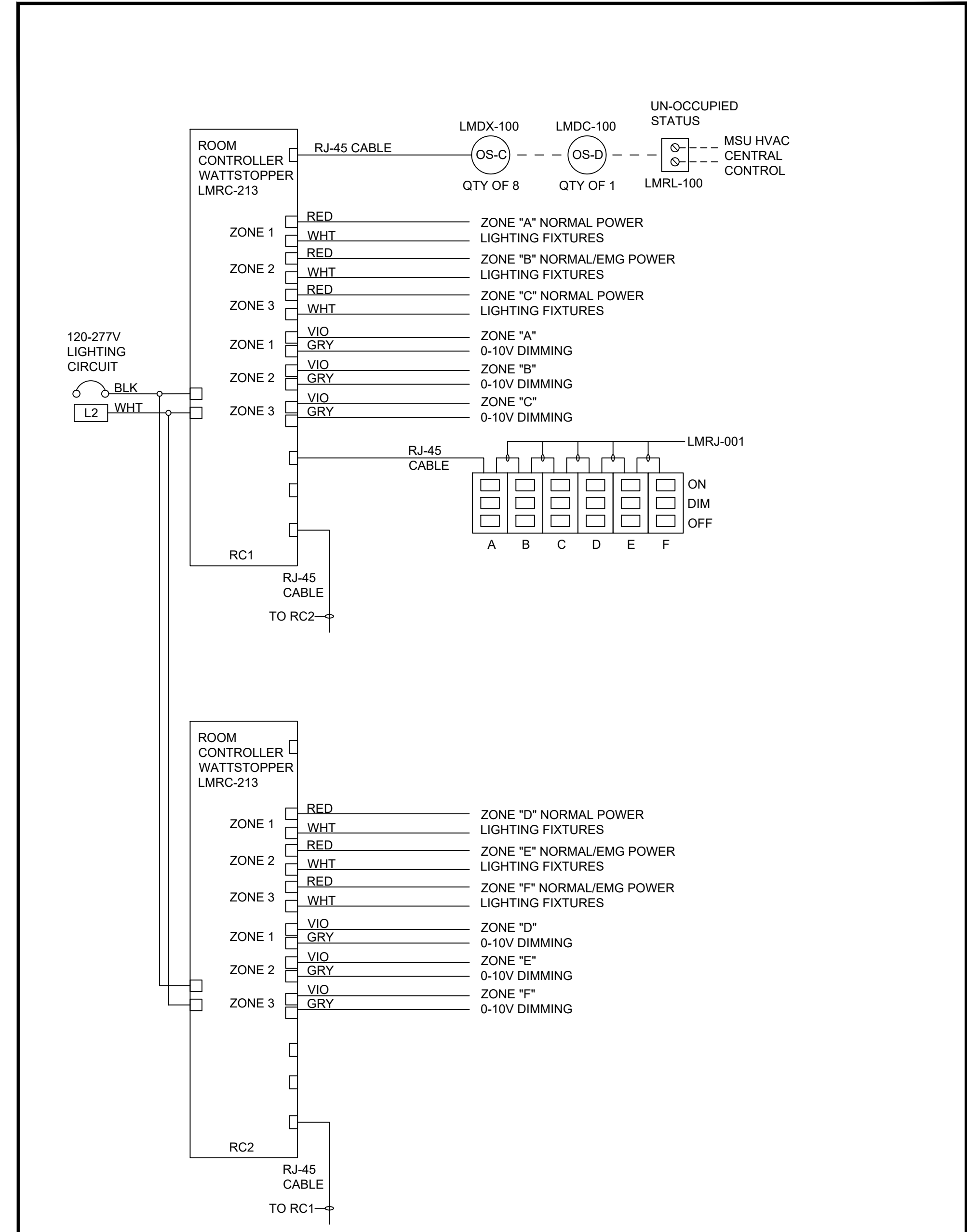
PROVIDE LIGHTING FIXTURES AND LIGHTING CONTROLS.
SEE LIGHTING FIXTURE SCHEDULE AND DETAILS. RE-USE EXISTING ROOM LIGHTING CIRCUIT.
SET THE OCCUP SENSORS & ROOM CONTROLLER SETTINGS AS SHOWN ON THE LIGHTING DETAIL.
PROVIDE J-HOOKS AROUND THE PERIMETER OF THE ROOM FOR THE LOW VOLTAGE LIGHTING CABLES.

MSU PROJ. NO.
PR226584

PR. MGR. _____
ARCH. _____
MECH. _____
ELEC. HOWARD
CIVIL _____
L.A. _____
INT. DES. _____
CONST. REP. _____
APPR. _____
DATE 12/13/2023
SCALE AS NOTED
ISSUED _____
FOR PRICING _____

LIGHTING
PLAN

E-2



- NOTES:**
- CONTROL IS MANUAL ON/AUTO OFF WITH ZONE "A" 50% AUTO ON/AUTO OFF EXCEPTION.
 - DIMMED LIGHTING ZONES WITH EMERGENCY LIGHTING WILL GO TO FULL BRIGHTNESS UPON POWER LOSS.
- CABLING**
- PROVIDE FACTORY RJ-45 CABLES OR MAKEUP AS REQUIRED IN FIELD. TEST/VERIFY ANY CUSTOM CABLES. PRE-MADE CABLE OPTIONS INCLUDE 3'=LMRJ-P03, 10'=LMRJ-P10, 25'=LMRJ-25, 50'=LMRJ-50.
 - PROVIDE 6" FACTORY CABLE LMRJ-001 BETWEEN THE LIGHT SWITCHES.
 - LIGHTING DEVICES CAN BE DAISY CHAINED AND CONNECTED TO ANY CONTROLLER PORT.
 - DLM NETWORK PROVIDES 24VDC, 250MA. LMDX-100/LMDC-100 = 20MA, LMRL-100=7MA.
- SWITCHES/ENGRAVINGS**
- PROVIDE (3) BUTTON SWITCHES WITH ENGRAVINGS OF: ON | DIM | OFF. P/N: LMSW-103/CUSTOM WITH HIGH | DIM | OFF. THE MEDIUM PUSHBUTTON IS A PRE-SET DIMMED VALUE.
 - NEW WORK: PROVIDE 2" EXTRA DEEP SINGLE GANG BOX.
 - RETROFIT: REWORK THE EXISTING RECESSED SINGLE GANG BOXES TO EXTRA DEEP OR PROVIDE EXTENSION BOX WITH A WIREMOLD SINGLE GANG DEEP DEVICE BOX.
- OCCUP SENSORS**
- P/N: WATTSTOPPER LMDX-100 WALL/CORNER MOUNT (OS-C) & LMDC-100 CEILING MOUNT (OS-D).
 - CHANGE DETECTION TECHNOLOGY FROM BOTH TO EITHER.
- HVAC AUXILIARY CONTACT**
- WHEN REQD. PROVIDE OUTPUT MODULE FOR HVAC UN-OCCUPIED STATUS. P/N: WATTSTOPPER LMRL-100.
- EMERGENCY LIGHTING:**
- PROVIDE EMERGENCY BATTERY PACK AS REQUIRED.
- LIGHTING SERVICE REP SETTING 1 - OCCUPANCY CONTROL.**
- OCCUPANCY SENSORS SHALL BE CAPABLE OF CONTROLLING ONE OR MULTIPLE LIGHTING ZONES.
 - SET OCCUP SENSORS TO THE LIGHTING CONTROL ZONES AS SHOWN ON THE LIGHTING DRAWINGS.
- LIGHTING SERVICE REP SETTING 2 - LIGHTING CONTROL MODE.**
- SET LIGHTING CONTROL TO MANUAL ON/AUTO OFF.
- LIGHTING SERVICE REP SETTING 3 - LIGHTING MAINTAINED ON CONTROL.**
- PROVIDE SETTINGS SO ANY MOVEMENT IN ANY ZONE WILL KEEP ALL LIGHTING ON IN ALL ZONES.
- LIGHTING SERVICE REP SETTING 4 - 50% AUTO ON/AUTO OFF.**
- SET THE 50% AUTO ON/AUTO OFF FOR THIS ZONE.
 - THIS ZONE WILL GO TO FULL BRIGHTNESS UPON DETECTING OCCUPANCY.
- LIGHTING PRE-SET DIMMED VALUE - MEDIUM PUSHBUTTON OF (3) BUTTON SWITCH.**
- SET THE DIMMING TO A PRESET VALUE APPROX 30-50% OF MAX LIGHTING LEVEL.

SEE SPECIFICATION SECTION 260923
LIGHTING CONTROL DEVICES

	Infrastructure Planning and Facilities	ROOM CONTROLLER CONF ROOM/LOBBY ROOM/OPEN OFFICE BATTERY PACK EMERGENCY LIGHTING TYPICAL DETAIL		DATE 6/16/2009	DETAIL NO. 260923-10A	SHEET 1
		DRAWN BY MSU	REVISION 06/14/2023	OF ONE		

MSU PROJ. NO.	PR226584
PR. MGR.	_____
ARCH.	_____
MECH.	_____
ELEC.	HOWARD
CIVIL	_____
L.A.	_____
INT. DES.	_____
CONST. REP.	_____
APPR.	_____
DATE	12/13/2023
SCALE	AS NOTED
ISSUED	_____
FOR PRICING	_____