

MICHIGAN STATE
U N I V E R S I T Y

INFRASTRUCTURE PLANNING AND FACILITIES
PLANNING, DESIGN AND CONSTRUCTION

April 18, 2024

TITLE OF PROJECT: Holmes Hall – 1st Floor Ceiling Replacement

PROJECT ISSUE DATE: April 10, 2024

PROJECT NUMBER: PR228518

ADDENDUM NO: 2

GENERAL

This Addendum is issued prior to receipt of Proposals to amend the Contract Documents identified as Holmes Hall – 1st Floor Ceiling Replacement.

Except as otherwise specifically mentioned, the general character of the work required by this Addendum shall be the same as originally specified, and all incidentals required in connection with the work hereinafter described shall be included even though not specifically mentioned. When an item is mentioned with additional specifications given, reference shall be made to the original specifications.

Drawing(s) accompanying this Addendum include: N/A

No drawings accompany this Addendum

TRADES – N/A

ITEM NO. DESCRIPTION

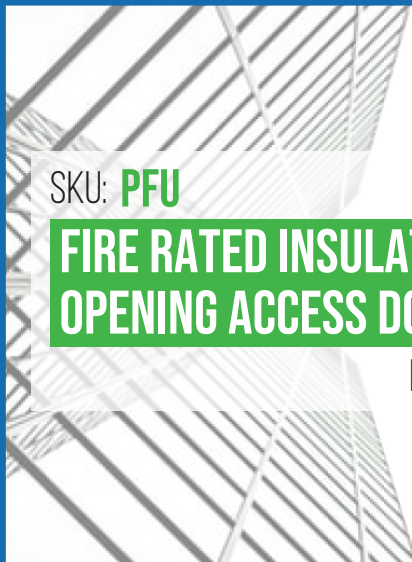
1. Remove and replace up to 37 access panels, sized to match existing openings, with the attached product or equal. Equal must achieve fire rating, be hinged, and swing up.
 - i. Please provide a unit cost per location, as the quantity could change.

SUBMITTAL/TECHNICAL DATA SHEET



STANDARD OPTIONS

- MATERIAL:**
16 gauge cold rolled steel frame & 20 gauge galvaneal steel door
- HINGE:**
Continuous piano hinge allows opening to 89°
- LOCK / LATCH:**
Self latching ring operated slam latch inside and a hex head slam latch outside
- FINISH:**
High quality white powder coat primer
- PACKAGING:**
Individually wrapped, 1 per box



SKU: **PFU**

FIRE RATED INSULATED UPWARD OPENING ACCESS DOOR

FOR CEILING ONLY



OPTIONS AVAILABLE

MATERIAL:
Stainless steel 304 #4 (brushed finish)

Fire Rating information on Page 2

For a complete list of options visit www.AccessDoorsAndPanels.com

Scan or Click



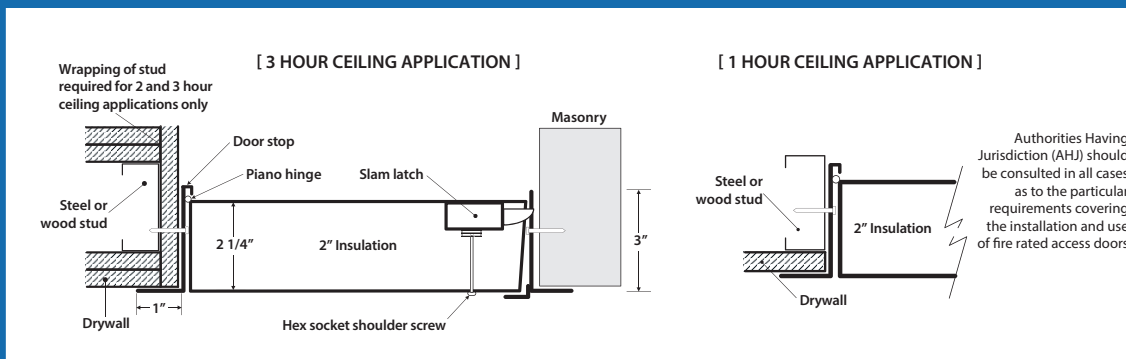
To view Pricing and Additional Product Info.

LEED READY: THIS PRODUCT CONTRIBUTES TO LEED® CREDITS



INSTALLATION

>> [CLICK TO VIEW ADDITIONAL DETAILS AND PRICING](#) <<

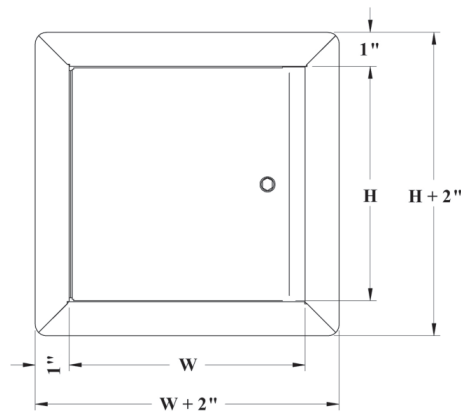


DIMENSIONS AND APPEARANCE

STANDARD SIZES:

DOOR SIZE W x H INCHES (MM)	NUMBER OF LOCKS	WEIGHT	
		LBS	KG
22 x 30 (558 x 762)	1	30	30.6
22 x 36 (558 x 914)	2	37	16.8
24 x 24 (609 x 609)	1	29	13.2

(Clear opening with door opened = $W - 3 \frac{1}{2}''$)
ROUGH WALL OPENING IS DOOR SIZE + $\frac{1}{4}''$ OR + 6mm



PROJECT DATA

Custom Sizes Available - Fast!

PROJECT NAME :	QTY	W	H	OPTIONS
ARCHITECT :				
DEALER :				
CONTRACTOR :				
LOCATION :	SPECIAL INSTRUCTIONS :			
DATE :				
TAGGING INSTRUCTIONS :	SUBMITTAL APPROVAL : (signature or stamp)			

TELEPHONE:
1-888-457-1275

FAX:
1-888-626-2907



PO BOX 66738 #76520,
SAINT LOUIS, MO
63166-6738
USA



WEBSITE:
www.AccessDoorsAndPanels.com

E-MAIL:
info@AccessDoorsAndPanels.com

■ FIRE RATING

FOR HORIZONTAL WALL ASSEMBLIES ONLY:

CERTIFIED TO STANDARDS: ASTM E119 (2012), CAN/ULC S101 (2007).

RATING ACHIEVED: 3 hours in non-combustible construction. 1 hour in combustible construction.

MAXIMUM SIZE: 24" x 36" (hinges & latch on 36" long sides) (610 mm x 914 mm).

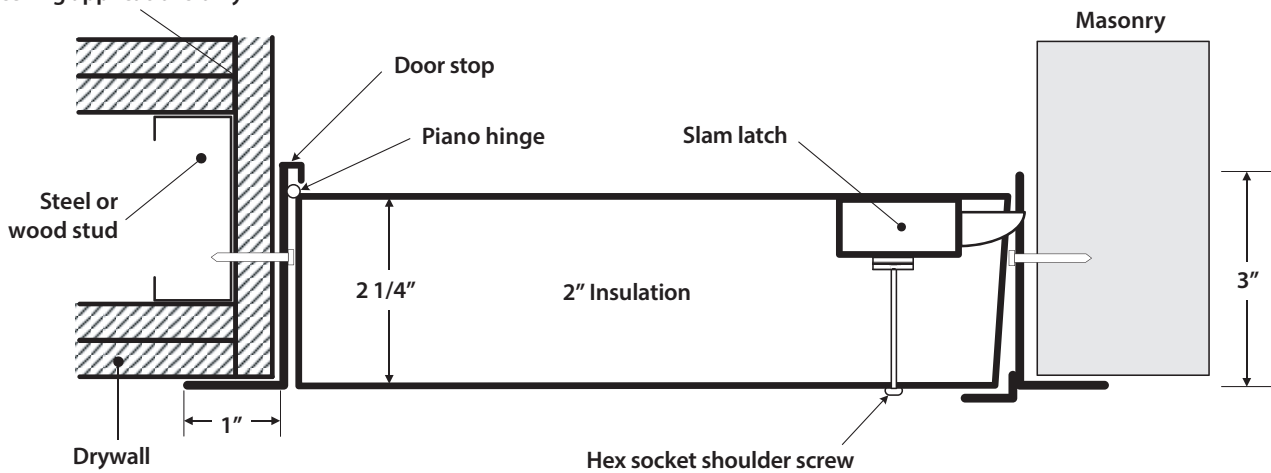
Tolerances on dimension limitations are ± 3" (76 mm) as long as the area does not exceed 864 in².

TEMPERATURE RISE: Not applicable.

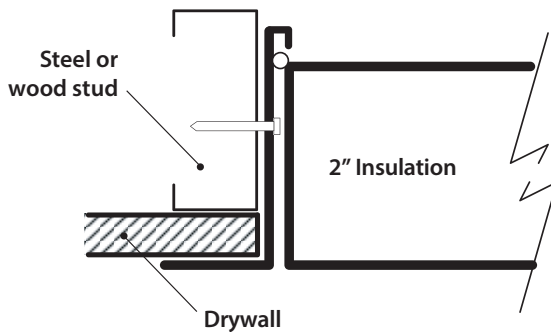
■ INSTALLATION: WALLS AND CEILINGS

Wrapping of stud required for 2 and 3 hour ceiling applications only

[3 HOUR CEILING APPLICATION]



[1 HOUR CEILING APPLICATION]



Authorities Having Jurisdiction (AHJ) should be consulted in all cases as to the particular requirements covering the installation and use of fire rated access doors